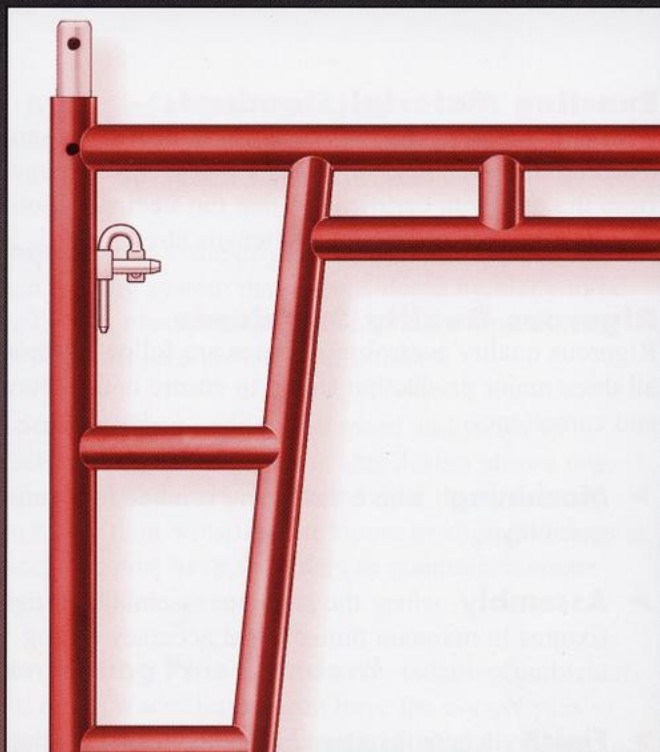




WACO[®] RED

**PREMIUM FRAME
SCAFFOLDING SYSTEM**



The Best Scaffolding In America

WACO[®]

Scaffolding & Equipment

Waco® Is The First Name For Premium Scaffolding

Waco® scaffolding is the first choice of those who demand maximum value for their equipment investment. Maximum strength, maximum quality, maximum life resulting in minimum annual cost of ownership.

Check out some of our premium features that make Waco Scaffolding & Equipment your best supplier and Waco® Red your best scaffolding buy.

Exacting Material Standards

Premium quality starts with material standards that are so exacting that each load of tubing for Waco® Red comes from the mill with certification that the steel meets our requirements for both yield and tensile strength.

Rigorous Quality Standards

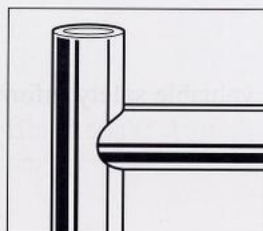
Rigorous quality control procedures are followed through all three major production stages to ensure both accuracy and consistency:

- **Machining** where the tubing is made into parts for assembly.
- **Assembly** where the parts are assembled in jigs and fixtures to maintain dimensional accuracy during welding.
- **Finish** where the assembly is now painted using state of the art powder coating, that provides a more durable finish using paint formulated to Waco® specifications.

Strength By Design

The superior strength and durability of Waco® Red is realized through:

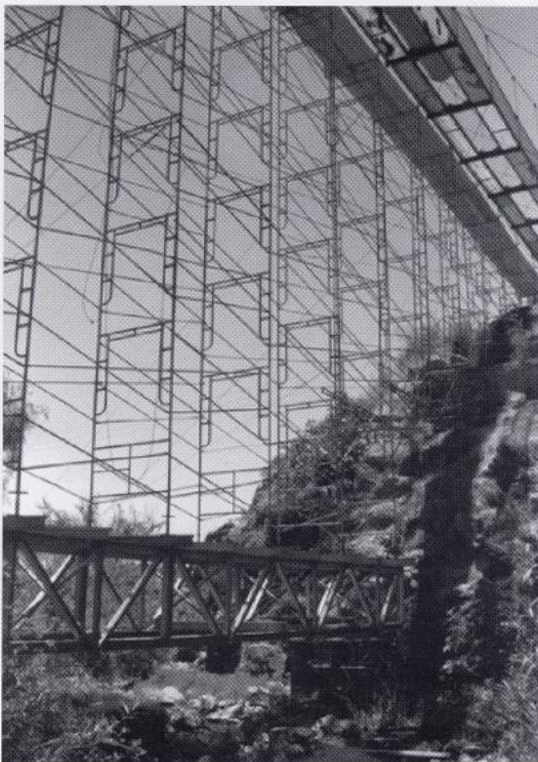
- **Machined Tube Ends** where each tube end that forms a weld joint is coped to provide a larger welding surface.
- **Stronger Interior Members** utilizing 1 1/4" OD tubing instead of 1" OD which is commonly used on lesser frames.



NOTE: All product drawings and information in this catalog are for illustrative purposes only and not to be considered in any way as an erection guide.

Excellence From The Beginning

Since 1945 Waco Scaffolding & Equipment has been the standard by which others are measured when it comes to quality scaffolding. We provide America's top contractors and industry professionals with superior scaffolding solutions whenever and wherever needed. From the very beginning we've designed, manufactured and erected the very best scaffolding for thousands of satisfied customers who've come to depend on the Waco® name.



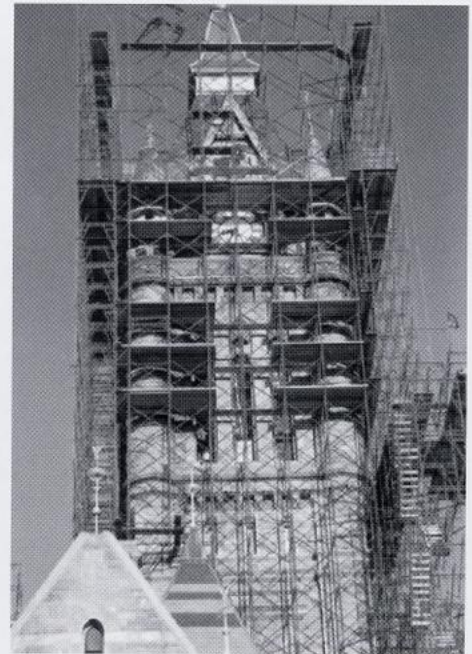
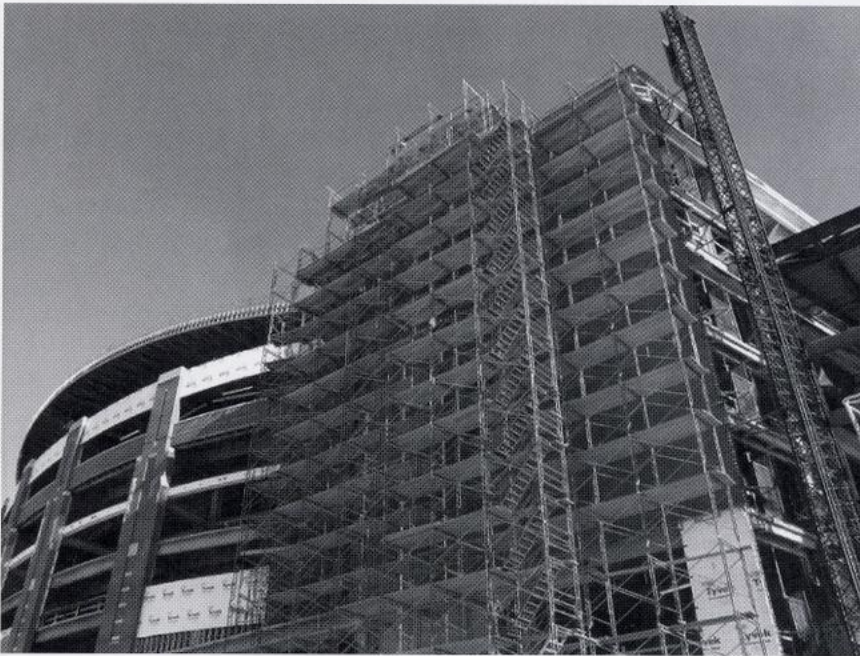
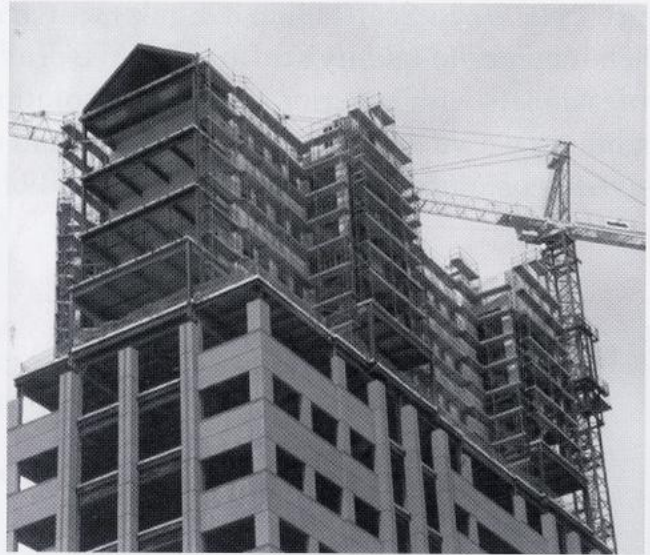
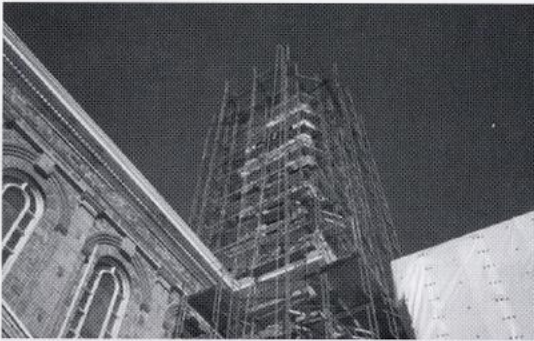
Fast And Safe On The Job

Contractors rely on the standard features of Waco® Red to improve their job site efficiency such as:

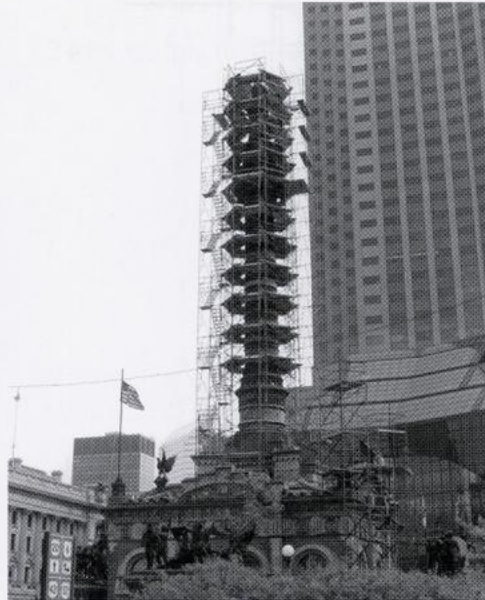
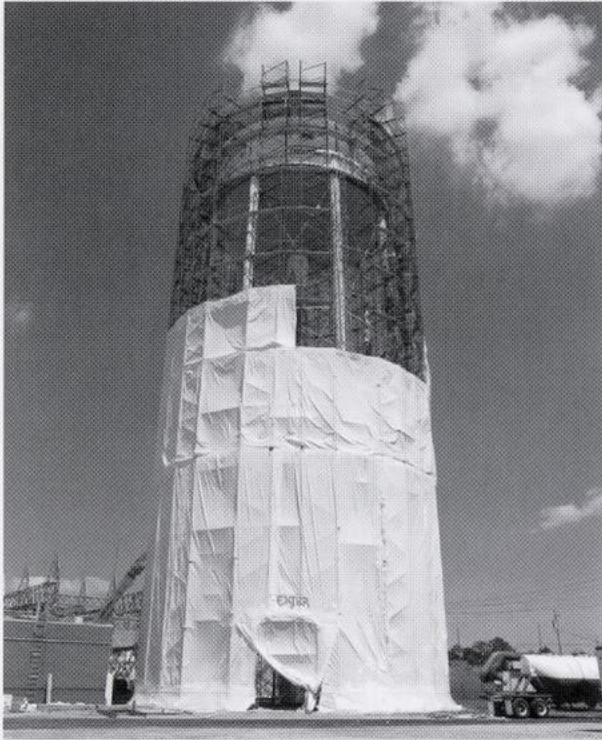
- ▶ **Speedlocks** the original Speedlock® is a forged steel locking system that is considered by many to be the fastest, most positive lock available. Speedlocks are standard on all Waco® Red Frames.
- ▶ **Floating Pins** add to the speed and safety of erecting Waco® Red Frames. This design allows one frame leg at a time to be placed over the connecting pin rather than wrestling the frame to align both legs at once. The pins have shoulders to maintain accurate alignment once in position.
- ▶ **Connecting Pins Standard** ensuring that when you order Waco® frames you have the correct pins to assemble them. Others attempt to artificially lower their frame prices by supplying the pins at an additional charge.
- ▶ **Doing Something About Safety** because we are concerned about the safe use of our products and the safety of our customers, each frame carries safety warning labels to alert workers to possible dangers and instruct them on proper procedures.
- ▶ **Guide To Scaffolding** Waco Scaffolding & Equipment has produced an extensive manual, Waco's Guide To Scaffolding, which clearly illustrates erection and dismantling procedures, describes the types of scaffolding and their applications, and other valuable safety information. This manual is available through Waco Scaffolding & Equipment or your local authorized Waco® distributor for a nominal charge.

The Best Scaffolding In America

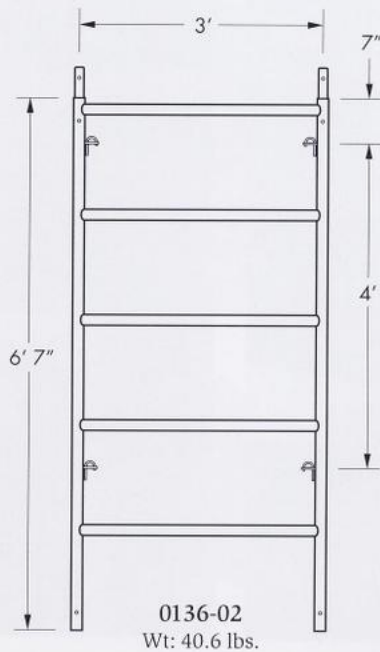
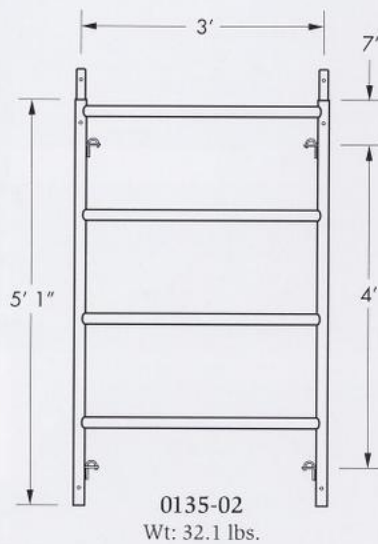
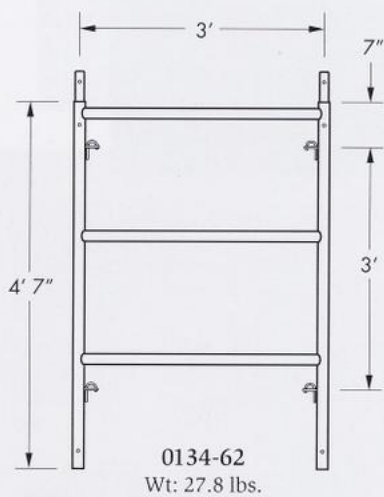
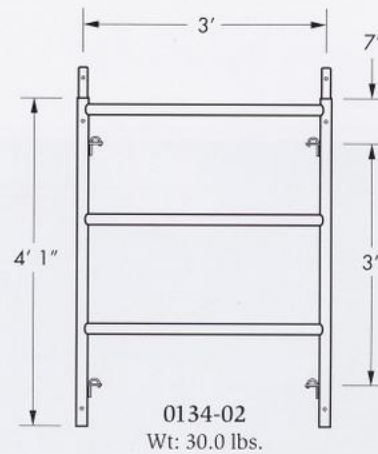
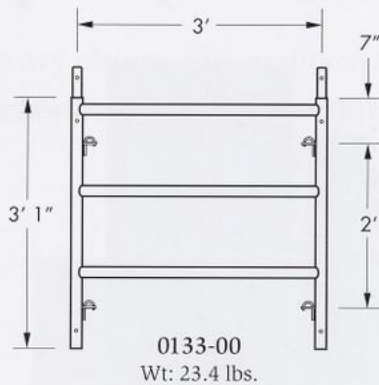
The industry choice for quality scaffolding design manufacturing and erection since 1945.



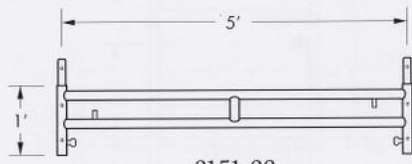
Quality, Dependability...Only Waco[®]



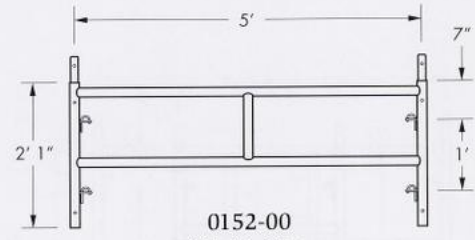
3' Wide Box Frames



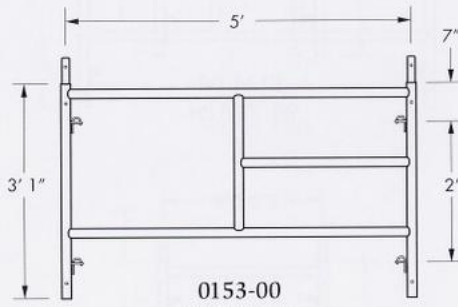
Standard Waco[®] Red Box Frames



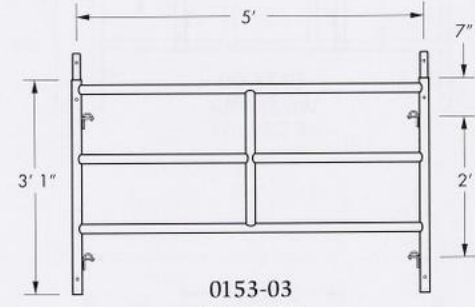
0151-00
Wt: 18.7 lbs.



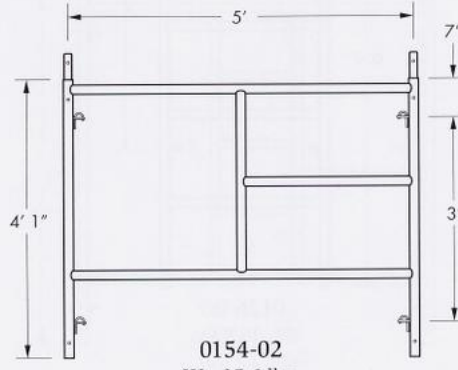
0152-00
Wt: 25.4 lbs.



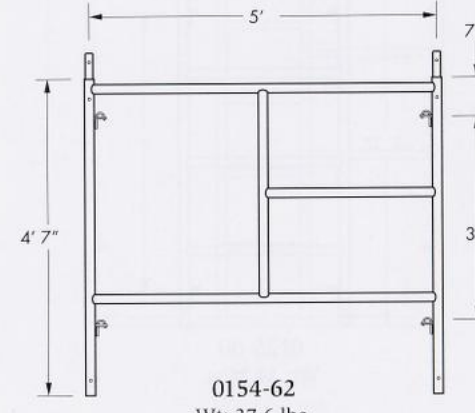
0153-00
Wt: 32.1 lbs.



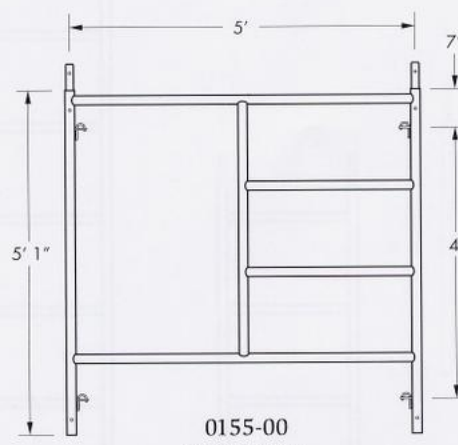
0153-03
Wt: 34.7 lbs.



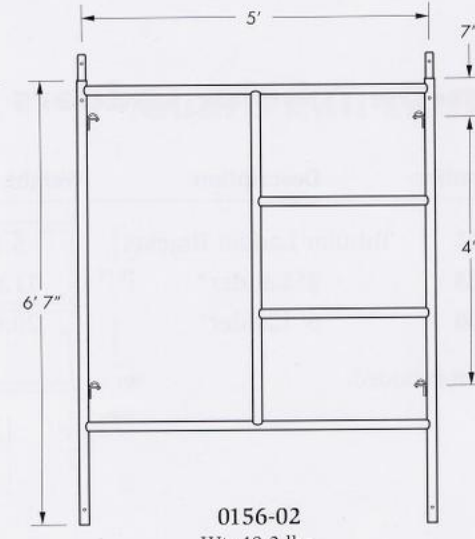
0154-02
Wt: 35.6 lbs.



0154-62
Wt: 37.6 lbs.

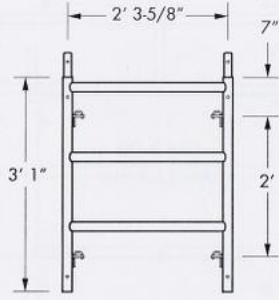


0155-00
Wt: 42.4 lbs.

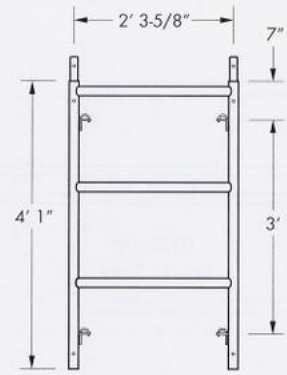


0156-02
Wt: 48.2 lbs.

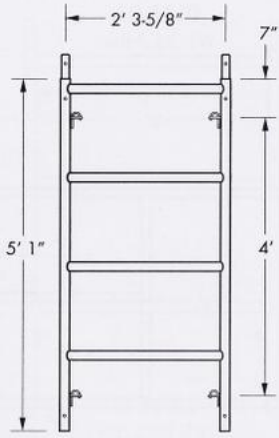
Ladder Frames



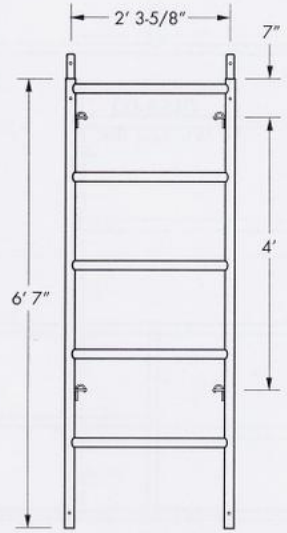
0123-00
Wt: 21.0 lbs.



0124-00
Wt: 23.8 lbs.



0125-00
Wt: 29.2 lbs.

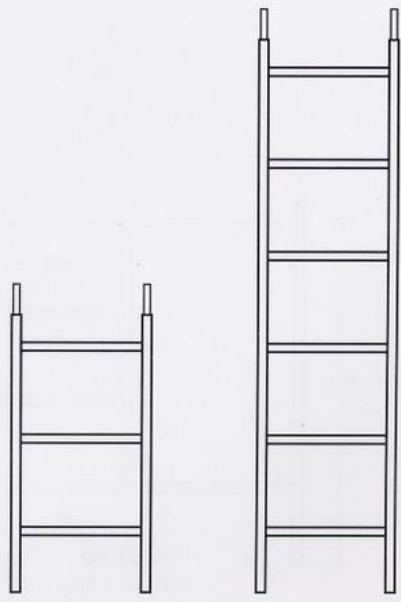


0126-00
Wt: 36.8 lbs.

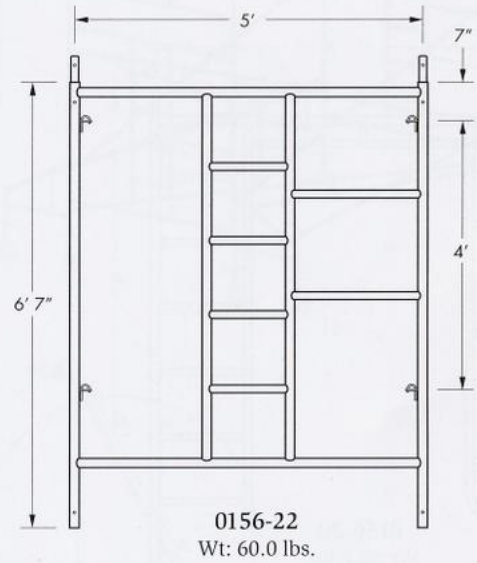
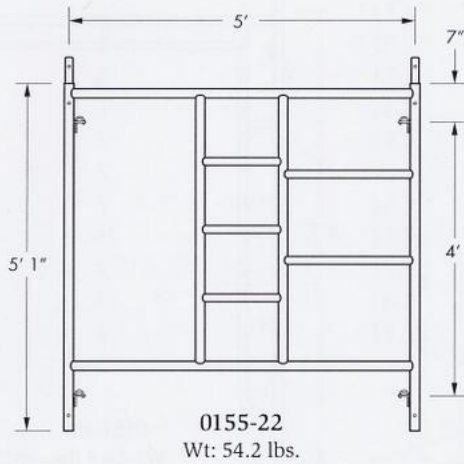
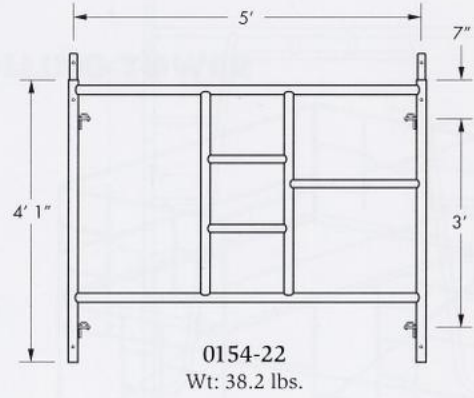
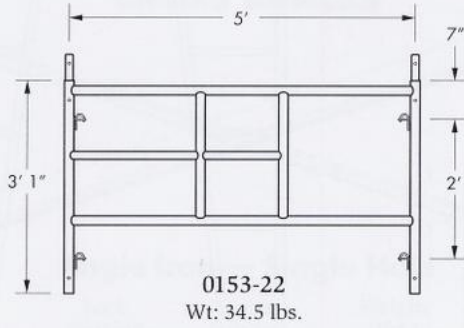
Clamp-On Tubular Ladders

Model Number	Description	Weight (lbs.)
0343-01	Tubular Ladder Bracket	5.1
0343-03	3' Ladder*	11.0
0343-06	6' Ladder*	20.0

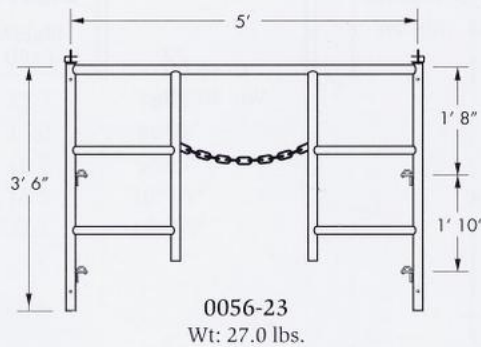
*Bracket not included.



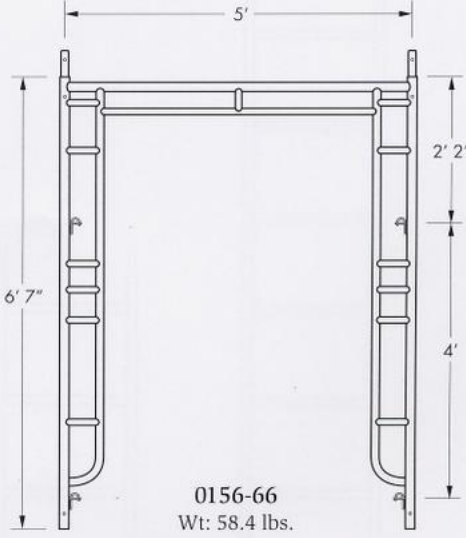
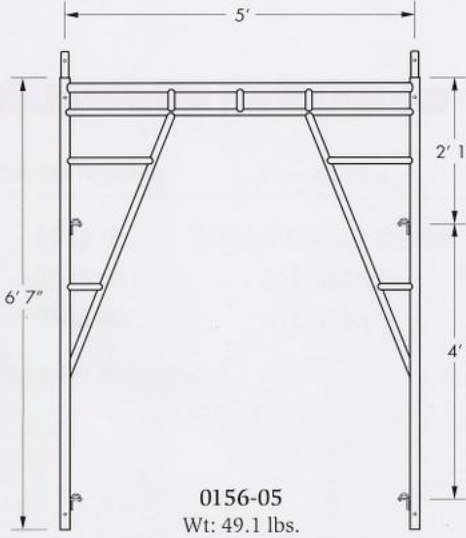
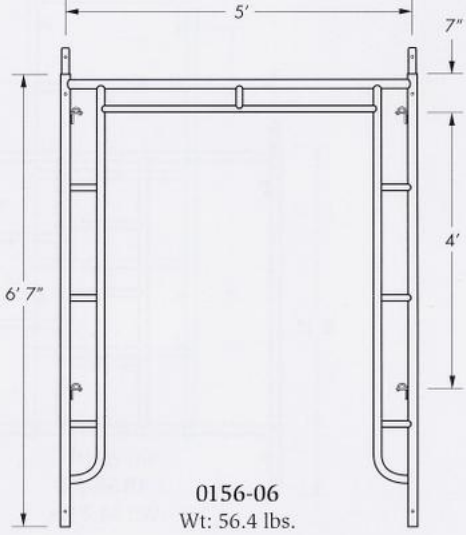
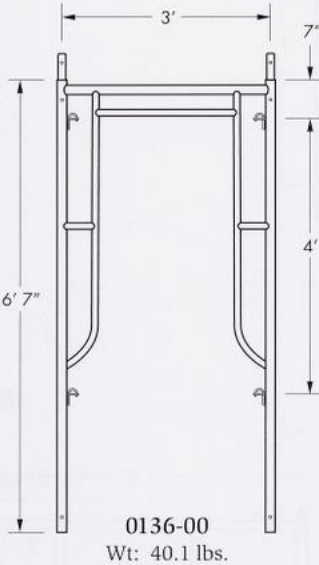
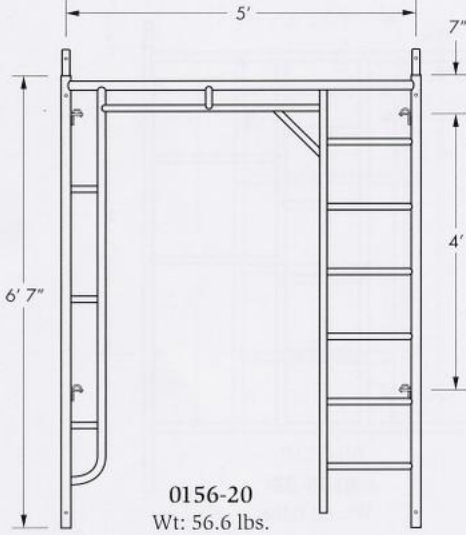
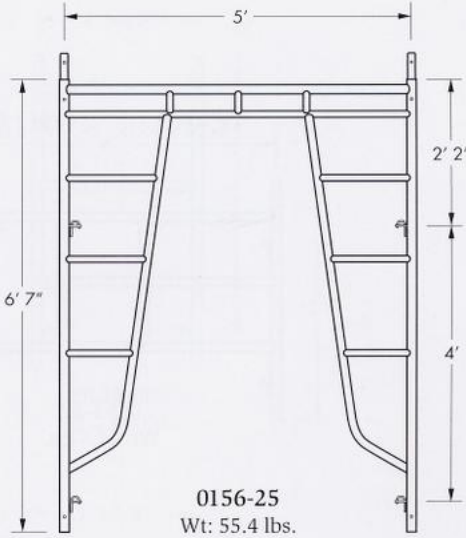
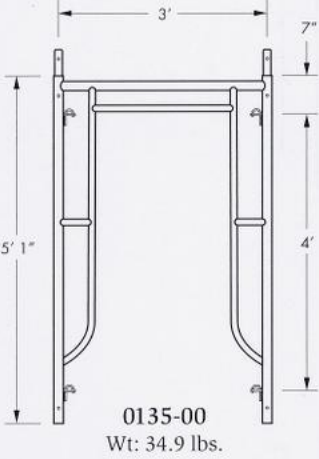
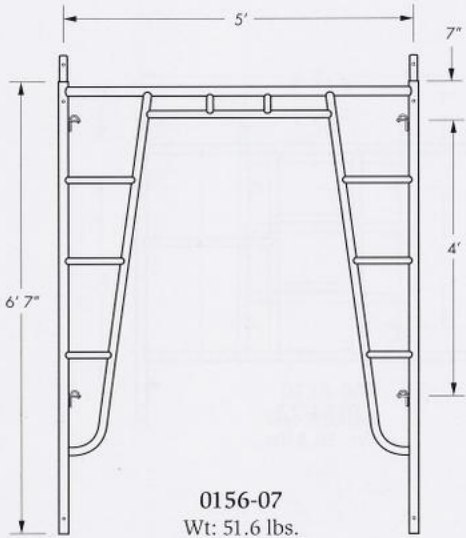
Access Frames



Guard Rail End Panel

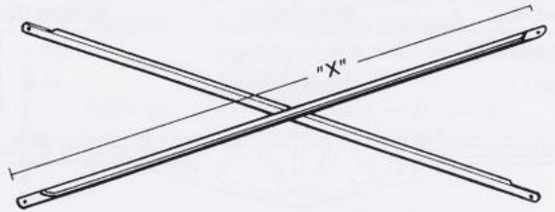


Walk Through Frames



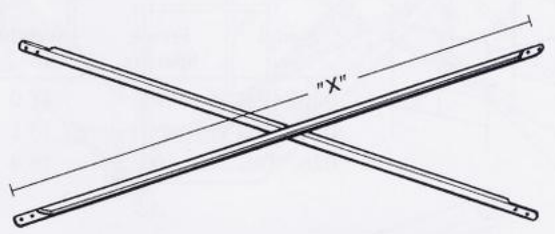
Braces / Rolling Tower

CROSS BRACES



Angle Iron — Single Hole

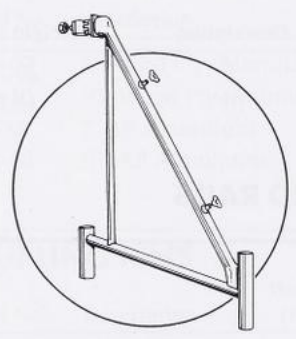
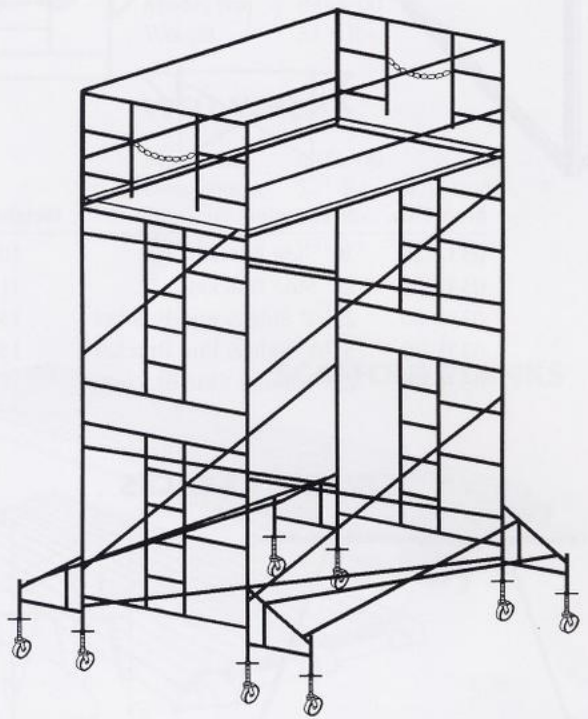
Model No.	Lock Spacing	Frame Spacing	Weight (lbs.)	"X"
0252-05	1'	5'	13.5	61 1/4"
0252-06	1'	6'	12.7	73"
0252-07	1'	7'	17.9	84 7/8"
0252-08	1'	8'	20.3	96 3/4"
0253-05	2'	5'	11.9	64 5/8"
0253-06	2'	6'	13.3	75 7/8"
0253-07	2'	7'	15.9	87 3/8"
0253-08	2'	8'	17.1	99"
0254-05	3'	5'	12.3	70"
0254-06	3'	6'	14.1	80 1/2"
0254-07	3'	7'	16.7	91 3/8"
0254-08	3'	8'	17.7	102 1/2"
0255-05	4'	5'	13.3	76 7/8"
0255-06	4'	6'	15.9	86 1/2"
0255-07	4'	7'	16.7	96 3/4"
0255-08	4'	8'	18.5	107 1/4"



Angle Iron — Double Hole

Model No.	Lock Spacing	Frame Spacing	Weight (lbs.)	"X"
0244-05	3' & 4'	5'	13.7	76 7/8"
0244-06	3' & 4'	6'	15.0	86 1/2"
0244-07	3' & 4'	7'	16.7	96 3/4"
0244-08	3' & 4'	8'	18.5	107 3/8"
0244-10	3' & 4'	10'	22.1	129 1/4"

ROLLING TOWER



30" Outriggers

Model No. 0391-01
Weight: 12.0 lbs.



Heavy Duty 8" Caster

Model No. 0318-04
Weight: 12.0 lbs.
Capacity: 500 lbs.

Accessories

BRACKETS



Model No.	Description	Weight (lbs.)
0332-20	20" Side Bracket	10.1
0332-00	23" Side Bracket	11.1
0330-00	21 1/2" Side & End Bracket	13.7
0331-00	31 1/2" Side & End Bracket	18.9
0336-00	22" Tubular Side Bracket	9.1

STRADDLE BRACES



Model No.	Description	Weight (lbs.)
0215-07	7'	20.2
0215-10	10'	32.7

GUARD RAILS



Model No.	Description	Weight (lbs.)
-----------	-------------	---------------

POSTS

0320-00	Standard	8.9
0320-05	With Toeboard Hook	10.4

GUARD RAILS & MID-RAILS

0322-27	2'3"	2.5
0322-57	29" w/keyhole	2.1
0325-05	5'	5.2
0325-55	5' w/keyhole	4.9
0326-06	6'	6.3
0327-07	7'	7.1
0328-08	8'	8.3
0327-10	10'	10.5

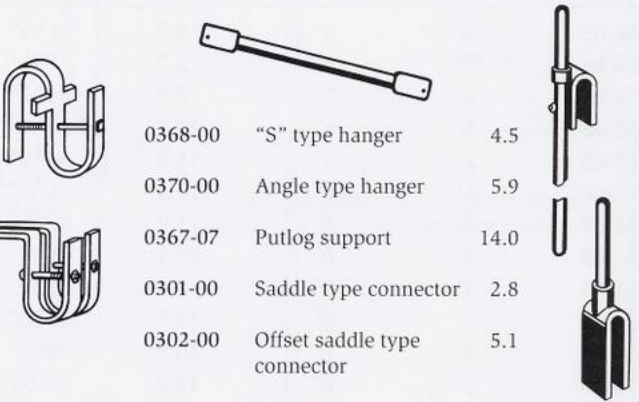
PUTLOGS



Model No.	Description	Weight (lbs.)
0360-08	8' long putlog	25.6
0360-12	12' long putlog	38.0

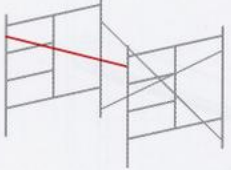


0361-16	16' long putlog	62.7
0361-22	22' long putlog	95.6

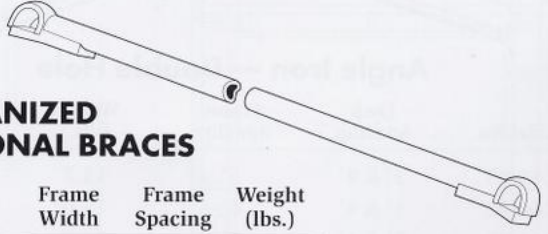


0368-00	"S" type hanger	4.5
0370-00	Angle type hanger	5.9
0367-07	Putlog support	14.0
0301-00	Saddle type connector	2.8
0302-00	Offset saddle type connector	5.1

GALVANIZED HORIZONTAL SPACERS

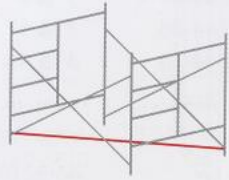


Model No.	Frame Spacing	Weight (lbs.)
0267-05G	5'	11.0
0267-07G	7'	10.1
0267-10G	10'	18.4



GALVANIZED DIAGONAL BRACES

Model No.	Frame Width	Frame Spacing	Weight (lbs.)
0262-05G	2'35/8"	5'	11.0
0262-07G	2'35/8"	7'	17.6
0262-08G	2'35/8"	8'	14.8
0262-10G	2'35/8"	10'	22.1
0265-05G	5'	5'	12.4
0265-07G	5'	7'	12.8
0265-08G	5'	8'	17.0
0265-10G	5'	10'	19.7

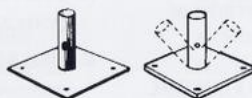


Accessories

ADJUSTING SCREWS



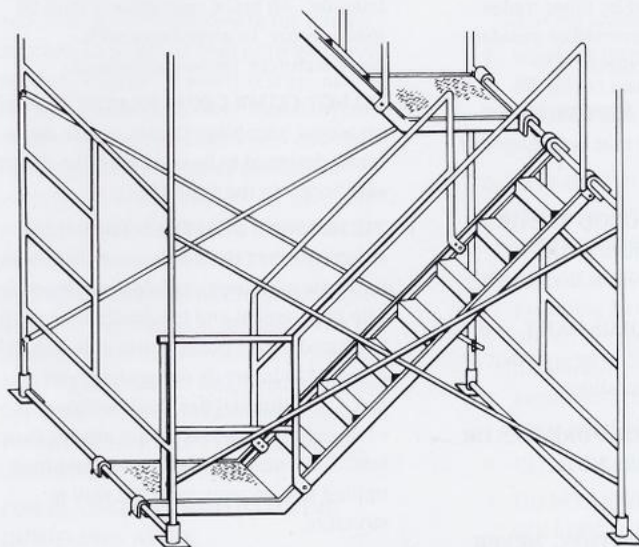
Model No.	Description	Weight (lbs.)
0306-00	Socket type for use with caster or base plate — 26" long, 18" screw adjustment	11.8
0305-18	With baseplate — 21" long, 18" screw adjustment	12.6



BASE PLATES



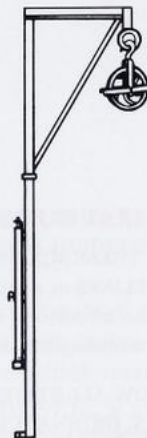
1924-00	5" x 5" plate with 24" extension (adjusts in 3" increments)	4.9
0300-00	5" x 5" standard stem	2.4
0303-00	5" x 5" standard stem with swivel base	2.6



INTERNAL ACCESSWAY

Model No.	Description	Weight (lbs.)
0345-03	Starter Unit for all 5' wide frames (2 per tower)	12.0
0345-07	Accessway for 5' high frames	81.7
0346-07	Accessway for 6'6" high frames	94.9
0342-77	Handrail Assy. (internal) all sizes	16.9
0345-17	Handrail Assy. (external) - 5' frames	29.6
0346-17	Handrail Assy. (external) - 6'6" frames	32.2
A0346-07	Accessway for 0156-02, 0156-05, 0156-06 and 0156-07(6'7" Frame)	45.0
0325-04	Hanging Guardrail For 0156-05, 0156-06, and 0156-07 Frames	19.8

HOIST STANDARD WITH GUARD RAIL POST

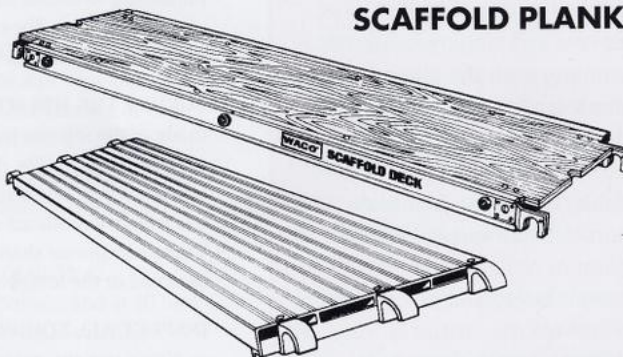


Model No.	0354-00
Weight	33.9 lbs.

WELL WHEELS

Model No.	0356-00
Description	12" dia., for 1" Rope
Capacity	100 lbs.
Weight	9.0 lbs.

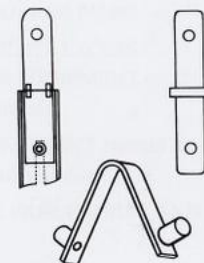
SCAFFOLD PLANKS



Model No.	Description	Capacity (lbs./sq.ft.)	Weight (lbs.)
6053-07	7' Wood Ply/Aluminum	75	27.0
6053-10	10' Wood Ply/Aluminum	50	47.0
6054-07	7' All Aluminum	75	30.0
6054-10	10' All Aluminum	50	48.0

COUPLING PINS

Model No.	Description	Weight (lbs.)
0205-00	Coupling Pin	0.6
0206-00	Spring Clip for 0205-00	0.1
0207-00	With Collar	0.8



GRAVITY LOCK PIN

Model No.	1956-00
Weight	0.2 lb.

TOGGLE PIN

Model No.	0200-00
Weight	0.1 lb.



SCAFFOLDING SAFETY GUIDELINES



SAFETY GUIDELINES

as recommended by
**SCAFFOLDING, SHORING
& FORMING INSTITUTE**

It shall be the responsibility of all employers and employees to read and comply with the following common sense guidelines which are designed to promote safety in the erecting and dismantling of scaffolds. These guidelines do not purport to be all-inclusive nor to supplant or replace other additional safety and precautionary measures to cover usual or unusual conditions. Local, State, or Federal statute or regulations shall supersede these guidelines if there is a conflict and it is the responsibility of each employee to comply.

GENERAL GUIDELINES

POST THESE SCAFFOLDING SAFETY GUIDELINES in a conspicuous place and be sure that all persons who erect, dismantle or use scaffolding are aware of them.

FOLLOW ALL STATE, LOCAL AND FEDERAL CODES, ORDINANCES AND REGULATIONS pertaining to scaffolding because they may be more restrictive. For example, height or width requirements may vary.

SURVEY THE JOB SITE — A survey shall be made of the job site for hazards, such as untamped earth fills, ditches, debris, high tension wires, unguarded openings, and other hazardous conditions created by other trades. These conditions shall be corrected or avoided as noted in the following sections.

INSPECT ALL EQUIPMENT BEFORE USING — Never use any equipment that is damaged or defective in any way.

KEEP ALL EQUIPMENT IN GOOD REPAIR — Avoid using corroded equipment — the strength of corroded equipment is not known.

INSPECT ERECTED SCAFFOLDS DAILY — or at the beginning of every shift to be sure that they are maintained in safe condition.

NEVER USE EQUIPMENT FOR PURPOSES OR IN WAYS FOR WHICH IT WAS NOT INTENDED.

REPORT ANY UNSAFE CONDITION. NEVER TAKE CHANCES — Do not work on scaffolds if your physical condition is such that you feel dizzy or unsteady in any way.

WORKING UNDER THE INFLUENCE OF ALCOHOL OR ILLEGAL DRUGS IS STRICTLY PROHIBITED.

CONSULT YOUR SCAFFOLDING SUPPLIER — NEVER TAKE CHANCES — Consult manuals and instructions provided by the supplier; scaffolding is his business.

GUIDELINES FOR ERECTION AND USE OF SCAFFOLDS

- A. PROVIDE ADEQUATE SILLS** for scaffold posts and use base plates.
- B. USE ADJUSTING SCREWS** or other approved conditions.
- C. PLUMB AND LEVEL ALL SCAFFOLDS** as the erection proceeds. Do not force braces to fit—level the scaffold until proper fit can be made easily.
- D. BRACING** Each frame or panel shall be braced by horizontal bracing. Cross bracing, diagonal bracing or any combination thereof for securing vertical members together laterally. All brace connections shall be made secure, in accordance with manufacturers' recommendations.
- E. DO NOT CLIMB CROSS BRACES** Use only an access (climbing) ladder, access steps, frame designed to be climbed or equivalent safe access to the scaffold.
- F. TIE RUNNING SCAFFOLD TO WALL** or structure when the height exceeds four (4) times the minimum scaffold base dimension. The first vertical and longitudinal tie shall be placed at this point. Vertical ties shall be repeated at intervals not greater than 26 feet. Longitudinal ties shall be placed at each end and at intervals not greater than 30 feet. Ties must prevent the scaffold from tipping into or away from the wall or structure.
- G. WHEN SCAFFOLDS ARE TO BE PARTIALLY OR FULLY ENCLOSED**, specific precautions must be taken to assure frequency and adequacy of ties attaching the scaffolding to the building due to increased load conditions resulting from effects of wind and weather. The scaffolding components to which the ties are attached must also be checked for additional loads.
- H. WHEN FREE STANDING SCAFFOLD TOWERS** exceed four times their minimum base dimension vertically, they must be restrained from tipping.

SCAFFOLDING SAFETY GUIDELINES

- I. DO NOT ERECT SCAFFOLDS NEAR ELECTRICAL POWER LINES** unless proper precautions are taken. Consult the power service company for advice.
- J. DO NOT USE LADDERS** or makeshift devices on top of scaffolds to increase the height.
- K. DO NOT EXCEED MANUFACTURERS' RECOMMENDED LOAD RATING.**
- L. EQUIP AND MAINTAIN ALL PLATFORMS** with proper guardrails, midrails and toeboards along all open sides and ends of scaffold platforms.
- M. ALL BRACKETS** shall be seated correctly with side brackets parallel to the frames and end brackets at 90 degrees to the frames. Brackets shall not be bent or twisted from normal position. Brackets (except mobile brackets designed to carry materials) are to be used as work platforms only and shall not be used for storage of material or equipment. When brackets are used, the scaffold shall be tied to the structure or otherwise restrained to prevent tipping.
- N. ALL SCAFFOLDING ACCESSORIES** shall be used and installed in accordance with the manufacturers' recommended procedure. Accessories shall not be altered in the field. Scaffolds, frames and their components of various manufacturers shall not be intermixed.
- O. FOR PLANKING, THE FOLLOWING GUIDELINES APPLY:**
1. Use only lumber that is properly inspected and graded as scaffold plank.
 2. Planking shall have at least 12 inches of overlap and extend 6 inches beyond center of support, or be cleated at both ends to prevent sliding off supports.
 3. Fabricated scaffold planks and platforms, unless created or restrained by hooks, shall extend over their end supports not less than 6 inches nor more than 12 inches.
 4. Secure plank to scaffold when necessary.
- P. FOR ROLLING SCAFFOLDS THE FOLLOWING ADDITIONAL GUIDELINES APPLY:**
1. CASTERS WITH PLAIN STEMS shall be attached to the panel or adjustment screw by pins or other suitable means.
 2. DO NOT EXTEND ADJUSTING SCREWS ON ROLLING SCAFFOLDS MORE THAN 12 INCHES.
 3. WHEELS OR CASTERS shall be provided with a locking device and kept locked during erection and dismantling or any time scaffolds are not being moved.
 4. SECURE OR REMOVE ALL MATERIAL AND EQUIPMENT from platform before moving scaffold.
 5. USE HORIZONTAL DIAGONAL BRACING near the bottom and at 20 foot intervals measured from the rolling surface.
 6. DO NOT USE brackets or other platform extensions without consideration of overturning effect.
 7. THE HEIGHT OF A ROLLING SCAFFOLD excluding its uppermost guardrails, must not exceed four times its smallest base dimension unless it is stabilized by an engineered counterweight system or some other equivalent means.
 8. CLEAT OR SECURE ALL PLANKS.
 9. DO NOT ATTEMPT TO MOVE A ROLLING SCAFFOLD WITHOUT SUFFICIENT HELP — watch out for holes in floor and overhead obstructions — stabilize against tipping.
 10. DO NOT RIDE ROLLING SCAFFOLDS.
 11. JOINTS shall be restrained from separation
- Q. FOR "PUTLOGS" AND "TRUSSES" THE FOLLOWING ADDITIONAL GUIDELINES APPLY:**
1. DO NOT CANTILEVER OR EXTEND PUTLOGS/TRUSSES as side brackets without thorough consideration for loads to be applied.
 2. PUTLOGS/TRUSSES SHOULD BE EXTENDED AT LEAST 6 inches beyond point of support.
 3. PLACE RECOMMENDED BRACING BETWEEN PUTLOGS/TRUSSES when the span of putlog/truss is more than 12 feet.
- R. WHEN DISMANTLING SCAFFOLDING THE FOLLOWING ADDITIONAL GUIDELINES APPLY:**
1. CHECK TO SEE IF SCAFFOLDING HAS BEEN STRUCTURALLY ALTERED in any way which would make it unsafe, and if so, reconstruct where necessary before commencing with dismantling procedures.
 2. VISUALLY INSPECT PLANK prior to dismantling to be sure that they are safe to work on.
 3. COMPONENTS SHOULD BE LOWERED as soon as dismantled in a safe manner so as to protect personnel below.
 4. DO NOT ACCUMULATE EXCESS COMPONENTS OR EQUIPMENT on the level being dismantled.
 5. DISMANTLED EQUIPMENT should be stockpiled in an orderly manner.
- S. FOLLOW ERECTION PROCEDURES AND USE MANUALS.**

SCAFFOLDING

Standard End Frames
 Walk Thru Frames
 Wedgelok™ System
 FasTube®
 Exprescaff®
 Hakitec®*

**SPECIALTY
TRADE TOOLS**

Mason's T-Jacks
 Chimney Scaffolds
 Mortar Board Stands
 Sheet Material Dollies
 Speed-Scaff™
 Casters
 Trash Chutes

SHORING

Formdeck**
 Post Shores
 Hi-Load® Frames
 Shore "X"® Frames
 Shore "X"® 25 Kip frames
 Aluminum Joists
 WacoMax®

FORMING

Modular Forms
 Magnum® Large Panel Forms**
 Mini-Mag®**
 Aluminum Gang Forms
 Heavy Duty Wall Ties
 Wacote® Form Oil
 Concrete Accessories

* U.S. Distributor
 ** Exclusive U.S. Distributor

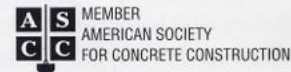
**WARNING**

Before using, putting up or taking down scaffolding or shoring check with your boss as to its safe use. There are many ways you can be hurt or killed using scaffolding. Use all equipment in accordance with safety design requirements and standards.

SAFETY MUST COME FIRST!

Waco products are available through a national network of branches and distributors. Call your local Waco representative for details on our full line of products and services today!

Branch	Hotline	Fax
Dealer Sales	(800) 367-9226	(216) 741-8486
Akron, OH	(800) 676-9226	(330) 785-3921
Atlantic City, NJ	(800) 273-1056	(609) 646-7808
Canton, OH	(800) 927-9226	(330) 497-0572
Carson, CA	(800) 251-4503	(310) 538-1003
Charleston, WV	(800) 678-9226	(304) 744-0349
Cincinnati, OH	(866) 272-1680	(513) 829-4749
Cleveland, OH	(800) 927-7502	(216) 929-8033
Columbus, OH	(800) 736-9226	(614) 922-0401
Minneapolis, MN	(800) 347-9356	(651) 697-0254
Phoenix, AZ	(888) 345-9226	(480) 507-8844
Pittsburgh, PA	(800) 422-9284	(412) 823-4840
San Diego, CA	(800) 734-9226	(858) 566-5780
San Diego Shipyard	(888) 472-2336	(619) 233-0802
Seattle, WA	(866) 642-8216	(206) 935-1702
Youngstown, OH	(888) 415-9737	(330) 792-2265



WACO®
 Scaffolding & Equipment

Corporate Office
 4545 Spring Road
 P.O. Box 318028
 Cleveland, Ohio 44131-8028

800-321-3150

Visit Our Web Site
www.wacoscaf.com