

**WACO<sup>®</sup>**

Scaffolding & Equipment



**QUALITY ACCESSORIES  
& ACCESS EQUIPMENT**

# GENERAL PLATFORM SUPPORTS

## TABLE OF CONTENTS .....PAGE

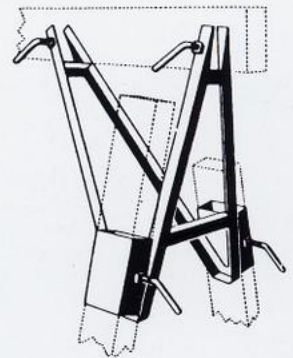
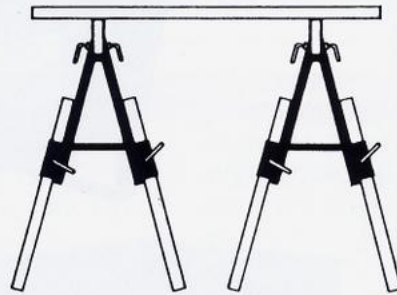
<b>GENERAL PLATFORM SUPPORTS</b> .....	2
Jiffy Jacks™ .....	2
Flat Back Legs .....	2
Scaffold Jacks .....	3
Folding Trestles and Extensions .....	3
<b>SPECIALTY TRADE TOOLS</b> .....	4
Chimney Scaffold .....	4
Mortar Board Stands .....	4
Mason's T-Jacks .....	4
Sheet Material Dolly .....	4
Cabby™ Buggy .....	5
Tubby™ Mortar Tub .....	5
<b>ROLLING TOWERS</b> .....	5
Reddi-Roll® .....	5
<b>ADJUSTABLE SCAFFOLDING</b> .....	6
Speed-Scaff™ .....	6
Sonny Towers .....	6
<b>FRAME SCAFFOLDING ACCESSORIES</b> .....	7
Stabilizer Legs .....	7
Cross Braces .....	7
Casters .....	7
Adjusting Screws .....	7
Base Plates .....	7
Straddle Braces .....	8
Diagonal Braces .....	8
Horizontal Spacers .....	8
Brackets .....	8
Internal Accessway .....	8
Putlogs .....	8
Scaffold Decks .....	9
Guard Rail Posts .....	9
Hoist Standards with Guard Rail Post .....	9
Coupling Pins .....	9
Gravity Lock Pins .....	9
Toggle Pins .....	9
<b>SAFETY EQUIPMENT</b> .....	10
Guard Rail Stanchions .....	10
Scaffolding Safety Guidelines .....	11-12

## JIFFY JACKS™

Jiffy Jacks™ are the most versatile scaffold trestle leg supports available. The rugged supports use 2" x 4" lumber for legs which are secured in metal pockets with locking screws. Individual leg height adjustment permits quick, easy leveling on uneven surfaces and/or use of random length 2" x 4" materials. The top of the support accepts a 2" x 6" to form a razor back type trestle. Wood planks are laid between trestles to form a scaffold access or convenient work area. Supports are not recommended for heights over 6ft.

**Model** 5597-00

**Weight Per Pair (lbs.)** 22

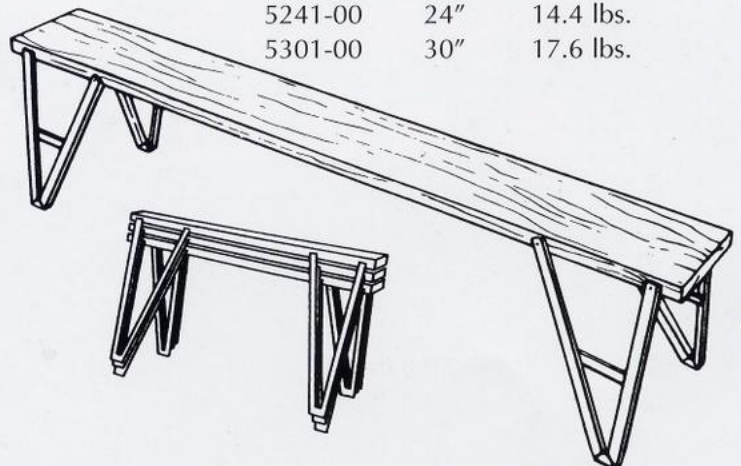


## FLAT-BACK LEGS

### Flat Backs

One pair makes one trestle. Wood planks not included. Other sizes are available upon request.

<i>Model</i>	<i>Height</i>	<i>Weight</i>
5121-00	12"	10.8 lbs.
5181-00	18"	12.8 lbs.
5201-00	20"	13.0 lbs.
5221-00	22"	13.6 lbs.
5241-00	24"	14.4 lbs.
5301-00	30"	17.6 lbs.



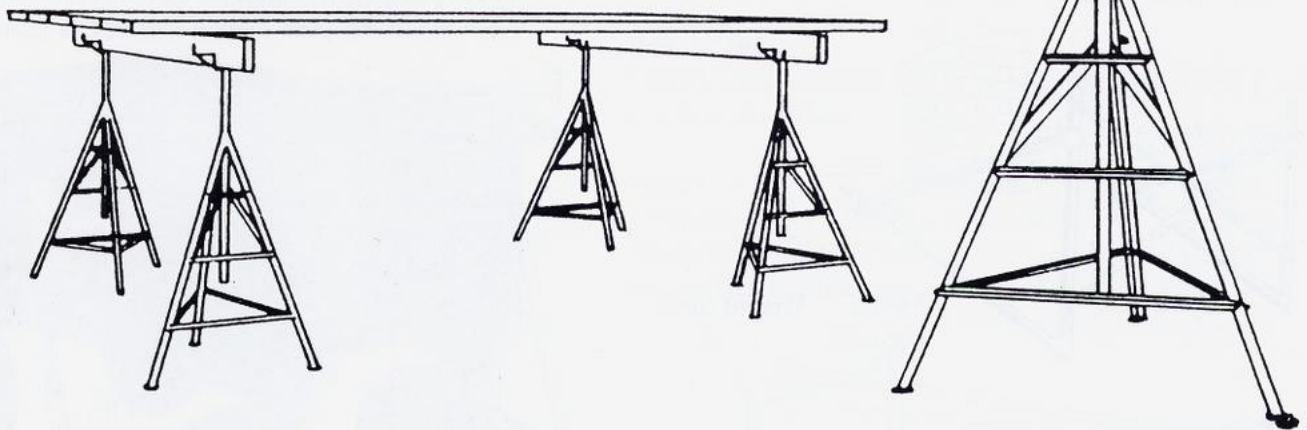
**For additional information or ordering assistance, call Toll Free 1-800-321-3150**

## SCAFFOLD JACKS

All-steel construction, stable tripod stance, 2" incremental height adjustment, and easy portability are all combined in these rugged scaffold jacks. The free-standing design permits the worker to set the jack, adjust the height, and place a 2" x 10" plank in the top cradle in a matter of minutes.

The height adjustment permit use on uneven surfaces and varying working heights as work progresses. Two jacks with a plank form a trestle. Two trestles (4 jacks with 2 planks), properly positioned, permit decking for elevated work space.

Model	Adjustable Height	Leg	Weight (lbs.)
	Min.-Max.	Spread	
0013-04	1'7" - 2'3"	18"	11
0015-04	2'5" - 3'9"	27"	14
0048-04	3'6" - 6'0"	29"	27
0066-04	6'0" - 9'4"	43"	41

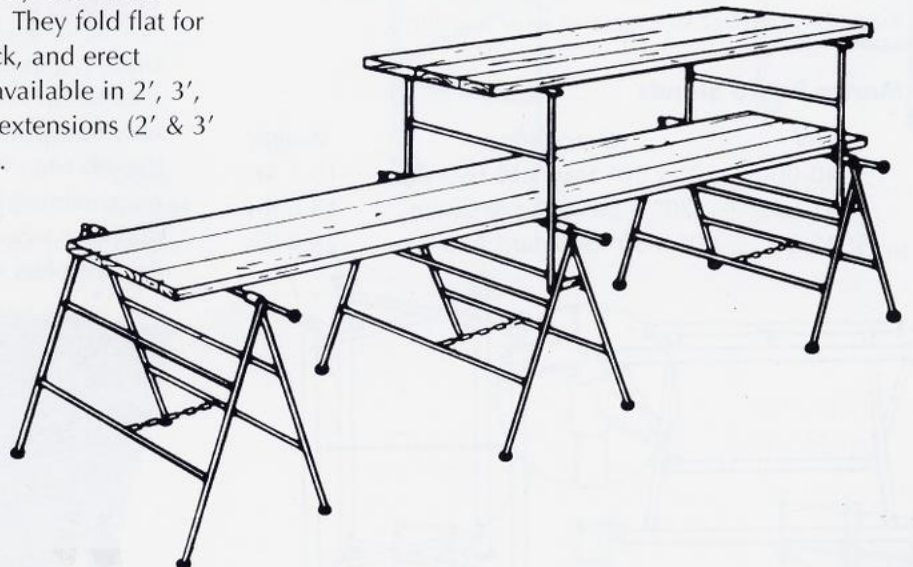


## FOLDING TRESTLES

Strong, lightweight, all-steel folding trestles provide working levels at one foot increments for convenient scaffolding or work holding heights. Trestles are completely assembled with base plates and welded safety chains. They fold flat for easy transportation in a van or pick-up truck, and erect quickly on-site without tools. Trestles are available in 2', 3', 4' and 6' high models. Optional hook-on extensions (2' & 3' high) are available for the 3' and 4' trestles.

### Folding Trestles and Extensions

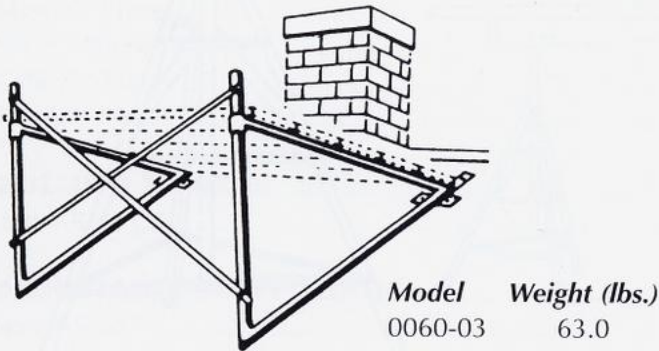
Folding Trestles		
Model	Height	Weight
5023-02	2'	15.8 lbs.
5023-03	3'	20.7 lbs.
5023-04	4'	26.0 lbs.
5023-06	6'	29.6 lbs.
Extensions		
5022-02	2'	10.6 lbs.
5022-03	3'	13.2 lbs.



# SPECIALTY TRADE TOOLS

## CHIMNEY SCAFFOLD

Increase safety, comfort and convenience with this adjustable chimney scaffold. The platform has pin-secured adjustments on both vertical braces to compensate for most any roof angle. Complete erection is accomplished in less than 10 minutes. The scaffold can be secured directly to the roof or to boards that hook over the roof peak. The chimney scaffold frame creates a 5' x 7' deck area and folds flat for easy transportation, safe handling and compact storage (wood platform decking not included). Max. live load = 25 PSF.

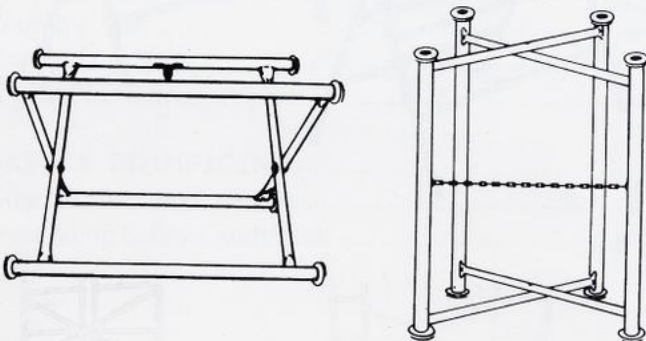


## MORTAR BOARD STAND

This folding mortar board stand is adjustable to increase productivity by placing mortar at the most comfortable, convenient working height. Lay it horizontally and the quick adjustment chain varies mortar height. Stand it on end for maximum height. This strong, lightweight stand folds for compact storage and easy handling.

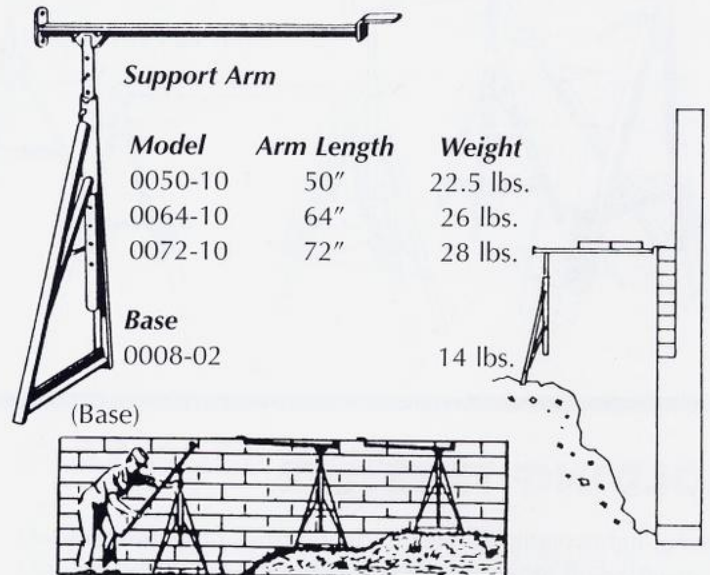
### Mortar Board Stands

Model	Description	Weight
5940-00	20" x 30" Standard Two Way	15.2 lbs.
5941-00	20" x 30" Double Chain	15.6 lbs.
5945-00	60" x 30" Standard Two Way	26.4 lbs.



## MASON'S T-JACKS

These handy work platform supports allow masons and other contractors to straddle foundation excavations and other obstructions where standard two-leg platform trestles cannot be used. The jack has a single triangle support leg with a trestle arm that rests on a lip of the structure (brick/block row) or a support board securely fixed to the structure. No back-filling or ground leveling is required, as each jack has a 2" incremental adjustment from 4" to 6'8" high. The jack is easily set by one worker. The trestle arm support folds out to accept planking, and folds flat for easy storage and handling when not in use. Arm support is drilled for guard rails.



## SHEET MATERIAL DOLLY

Load it with drywall, paneling, Masonite, peg board, countertop finish material, boards, cartons of tiles--for easy transportation in the warehouse, in the store, or on the job site. Four tough replaceable swivel casters make maneuvering in tight places easy, while the large 8" diameter wheels roll over rough spots. Move up to 2500 lbs. with less effort.

Model	Description	Weight
5598-00	2' x 3' x 3' 4"	90 lbs.



**For additional information or ordering assistance, call Toll Free 1-800-321-3150**

## ROLLING TOWERS

### CABBY™

WACO's new heavy-duty buggy for masonry contractors is designed for easy rolling and one-person handling. It features 22" turning radius, four 8" hard rubber wheels and a sloped end for easy discharging and cleaning. Constructed from heavy 11-gauge reinforced steel and streamlined for use in confined areas.

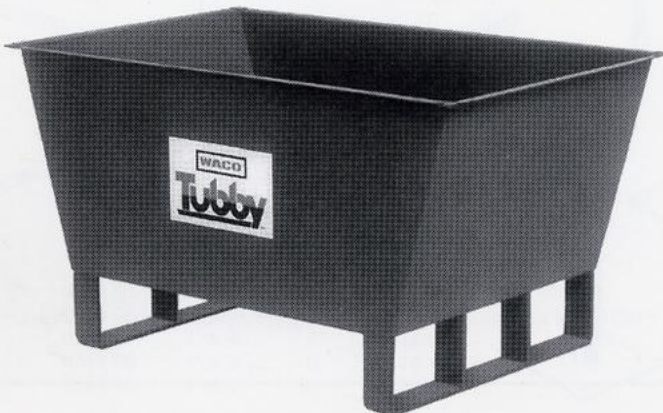
Model	Capacity	Dimensions	Shpg. Weight
0507-00	7 cubic feet	37"L x 21 1/2"W x 15 1/4"H	150 lbs.



### TUBBY™

This new mortar tub features 5" fork lift entry from all sides. Tub and lip are reinforced on all sides. Streamlined for use in confined areas, the WACO Tubby is constructed from heavy gauge reinforced steel.

Model	Capacity	Dimensions	Shpg. Weight
0508-00	7 cubic feet	37"L x 21 1/2"W x 15 1/4"H	103 lbs.



### REDDI-ROLL®

This pre-assembled tower combines compact storage, easy handling and fast fold-out set-up with convenient multi-level platform heights. Wooden planks (supplied) have locking channels that fit over the side frame rungs to secure the tower and provide working levels at 12" increments. The top level becomes a handy material and tool area. When work is finished, simply remove the planks, fold the sides in, and store. Both models fold to a handy 5" thickness. Maximum allowable live load = 25 lbs. per square foot.

#### Roll 'N' Fold

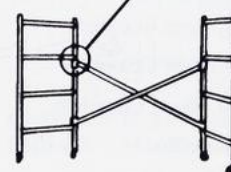
Comes complete with four locking casters and 3 kiln dried planks with locking channels.

Model	Dimension	Weight
1963-00	22"W x 45'L x 48'H	53.4 lbs.*
1964-00	24 1/2"W x 52 1/2'L x 72'H	71.2 lbs.*

\*weights do not include planks



Flat Folding For Easy Storage



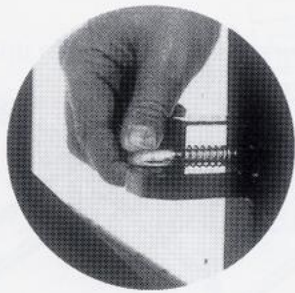
# ADJUSTABLE SCAFFOLDING

## SPEED-SCAFF™

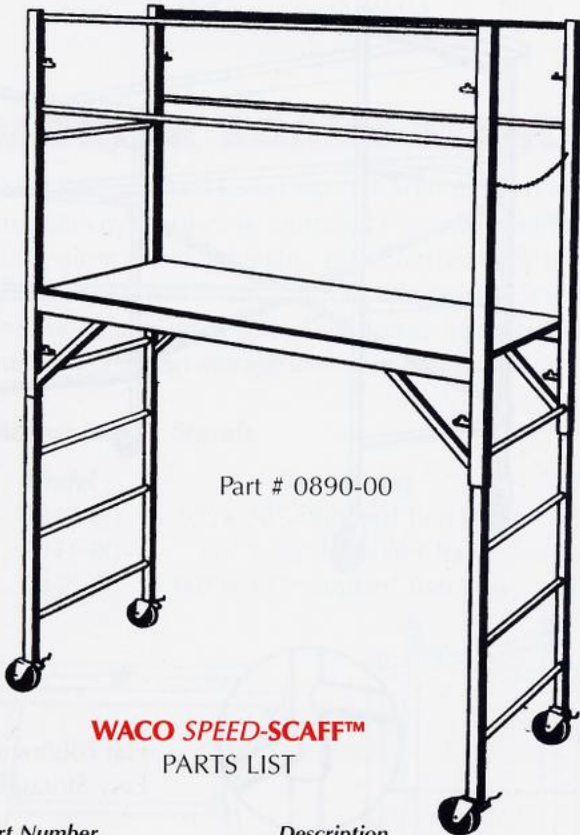
**SPEED-SCAFF™** adjustable scaffold with advanced locking system provides lengths of 6', 8' and 10'.

All-steel construction withstands loads up to 50 lbs. PSF, yet 6' units weigh only 134 lbs...8' units 144.8 lbs.

Rugged metal channel secures the unit's 5/8" plywood work platform. Hold pins, welded to trusses and spring-loaded, keep platform securely in place.



**SPEED-SCAFF™**'s positive engagement locking system with spring-loaded locks assures easy installation and quick adjustment. Replace platform as needed with replacement platforms from WACO only.



Part # 0890-00

### WACO SPEED-SCAFF™ PARTS LIST

Part Number	Description
0890-00	6' Tower Complete
0890-08	8' Tower Complete
0890-10	10' Tower Complete

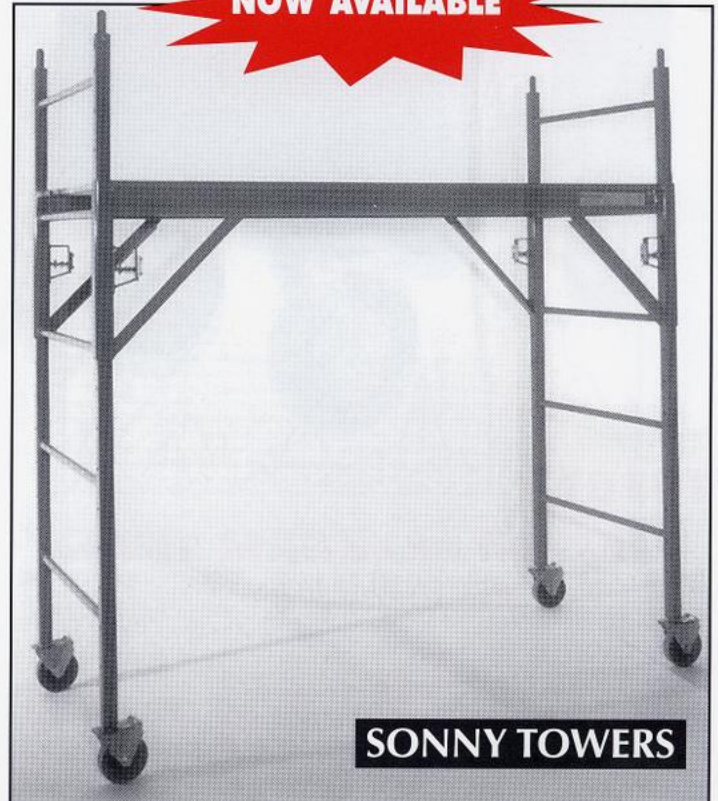
\*\*Full line of accessories available.

One person can easily adjust **SPEED-SCAFF™** in increments of 4" up to 72" in height. The unit's 29" x 69" ladders provide clearance over many obstacles, yet fit through standard doors. Stability is enhanced with 5" diameter wheels and safe locking systems.

**SPEED-SCAFF™** can be easily and safely stacked for storage.

**SPEED-SCAFF™** versatility is enhanced by availability of accessories, including outriggers, guardrails and toeboards, half ladder and casters.

**NOW AVAILABLE**



**SONNY TOWERS**

### SONNY TOWERS PARTS LIST

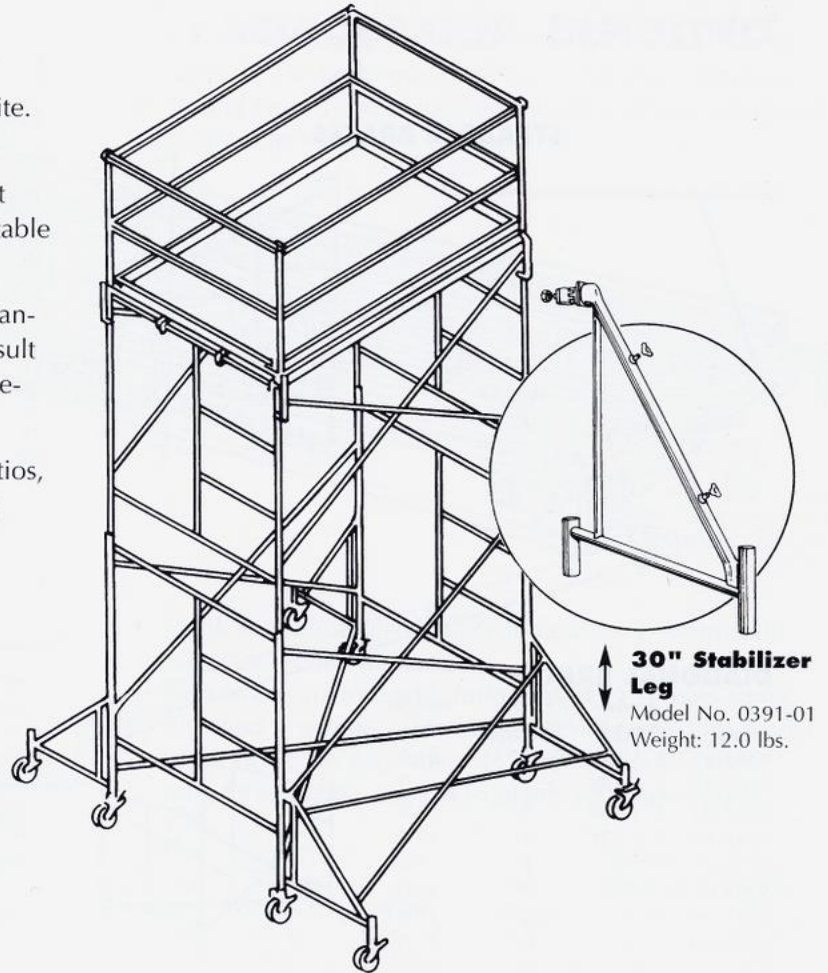
Part Number	Description
10285-01	6' Tower Complete
10285-04	8' Tower Complete
10285-06	10' Tower Complete

\*\*Full line of accessories available. Completely compatible with other systems.

**For additional information or ordering assistance, call Toll Free 1-800-321-3150**

## STABILIZER LEGS

- Rotate a full 90-degrees to facilitate use on the job site. Move through narrow openings and areas easily.
- Adaptable to any WACO standard end frame without additional accessories. Use with 8" casters or adjustable screw jacks (not included).
- May be assembled with narrow frames or with the standard 5"-wide scaffold frame to maintain ratios. Consult federal, state and local regulations for specific requirements.
- Increase width of end frames. To maintain proper ratios, check federal, state and local regulations for specific requirements.
- All steel construction; durable enamel finish coat.



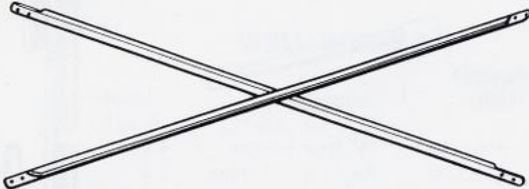
**30" Stabilizer Leg**  
Model No. 0391-01  
Weight: 12.0 lbs.

## CROSS BRACES



**Angle Iron -- Single Hole**

Lock Model	Frame Spacing	Weight Spacing	(lbs.)
0252-05	1'	5'	10.0
0252-06	1'	6'	12.5
0252-07	1'	7'	14.5
0252-08	1'	8'	17.1
0253-05	2'	5'	11.0
0253-06	2'	6'	12.5
0253-07	2'	7'	16.0
0253-08	2'	8'	17.5
0254-05	3'	5'	12.3
0254-06	3'	6'	14.1
0254-07	3'	7'	16.3
0254-08	3'	8'	17.5
0255-05	4'	5'	13.7
0255-06	4'	6'	15.0
0255-07	4'	7'	16.7
0255-08	4'	8'	18.4



**Angle Iron -- Double Hole**

Model	Lock Spacing	Frame Spacing	Weight (lbs.)
0244-05	3' & 4'	5'	13.7
0244-06	3' & 4'	6'	15.0
0244-07	3' & 4'	7'	16.8
0244-08	3' & 4'	8'	18.4
0244-10	3' & 4'	10'	22.0

## OPTIONAL ACCESSORIES

### CASTERS

**Heavy Duty 8" Caster**  
Model No. 0318-04  
Weight 12.0 lbs.  
Capacity: 500 lbs.

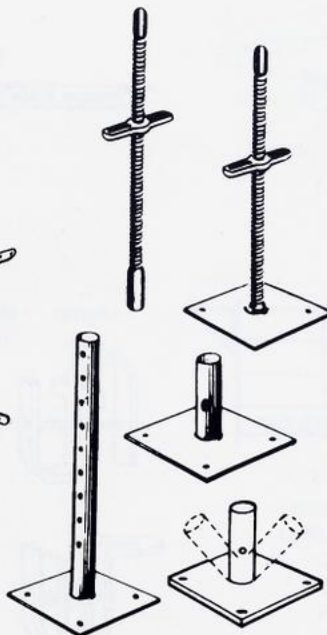


### ADJUSTING SCREWS

Model	Description	Weight (lbs.)
0306-00	Socket Type for use with caster or base plate -- 24" long, 18" screw adjustment	12.0
0305-18	With baseplate -- 24" long, 18" screw adjustment	12.0

### BASE PLATES

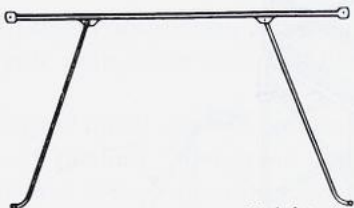
1924-00	5" x 5" plate with 24" extension (adjust in 3" increments)	4.9
0300-00	5" x 5" standard stem	2.4
0303-00	5" x 5" standard stem with swivel base	2.6



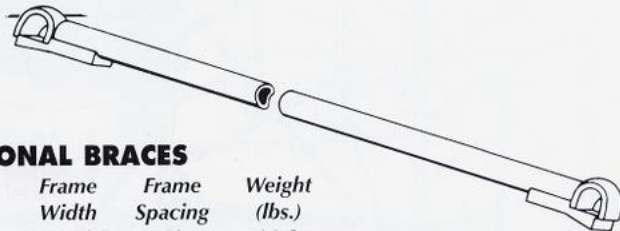
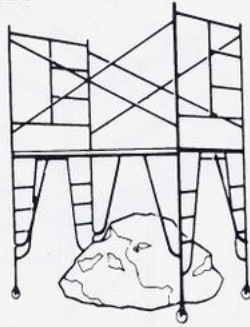
# FRAME SCAFFOLDING ACCESSORIES

## OPTIONAL ACCESSORIES (Cont'd)

### STRADDLE BRACES

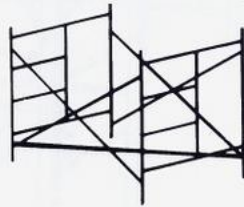


Model	Length	Weight (lbs.)
0215-07	7'	20.2
0215-10	10'	32.7

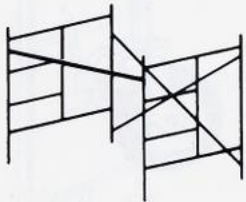


### DIAGONAL BRACES

Model	Frame Width	Frame Spacing	Weight (lbs.)
0262-05	2' 3 5/8"	5'	11.0
0262-07	2' 3 5/8"	7'	12.9
0262-08	2' 3 5/8"	8'	14.8
0262-10	2' 3 5/8"	10'	19.4
0265-05	5'	5'	12.4
0265-07	5'	7'	16.0
0265-08	5'	8'	17.8
0265-10	5'	10'	21.0

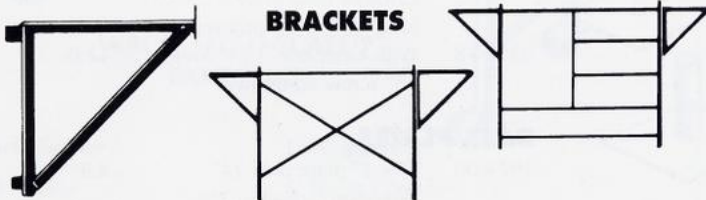


### HORIZONTAL SPACERS

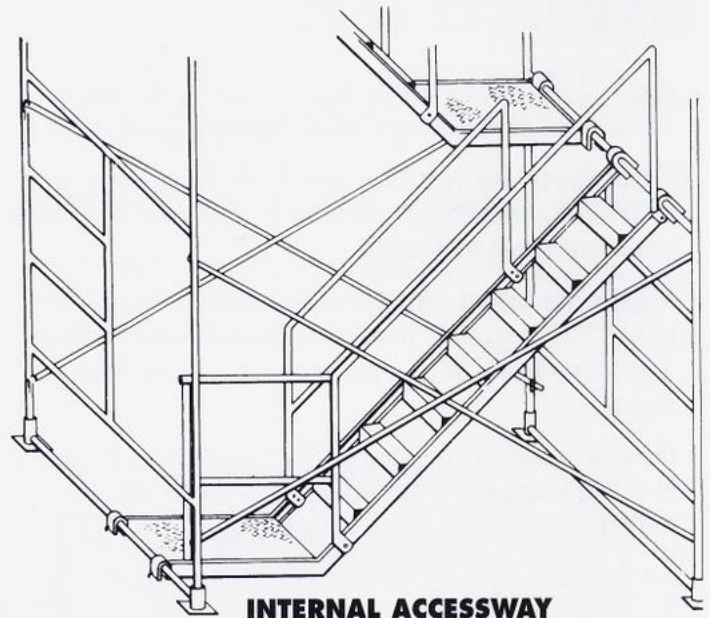


Model	Frame Spacing	Weight (lbs.)
0267-05	5'	11.0
0267-07	7'	14.0
0267-10	10'	18.5

### BRACKETS



Model	Description	Weight (lbs.)
0332-20	20" Side Bracket	11.0
0332-00	23" Side Bracket	12.0
0330-00	21 1/2" Side Bracket & End Bracket	13.5
0331-00	31 1/2" Side Bracket & End Bracket	18.1



### INTERNAL ACCESSWAY

Model	Description	Weight (lbs.)
0345-03	Starter Unit (2 per tower)	10
0345-07	Accessway for 5' high frames	81.7
0346-07	Accessway for 6' high frames	94.9
0342-77	Handrail Assy. (internal) all sizes	16.0
0345-17	Handrail Assy. (external --5' frames)	29.6
0346-17	Handrail Assy. (external --6' frames)	28
A0346-07	Accessway for 0156-02,0156-05, 0156-06 and 0156-07(6' - 7" Frame)	50.0
0325-04	Hanging Guardrail For 0156-05, 0156-06, and 0156-07 Frames.	

### PUTLOGS



Model	Description	Weight (lbs.)
0360-08	8' long putlong	24.5
0360-12	12' long putlong	39.2



0361-16	16' long putlog	58.5
0361-22	22' long putlog	94.0



0368-00	"S" type hanger	4.2
0370-00	Angle type hanger	5.4
0367-07	Putlog support	9.5
0301-00	Saddle type connector	5.8
0302-00	Offset saddle type connector	4.6



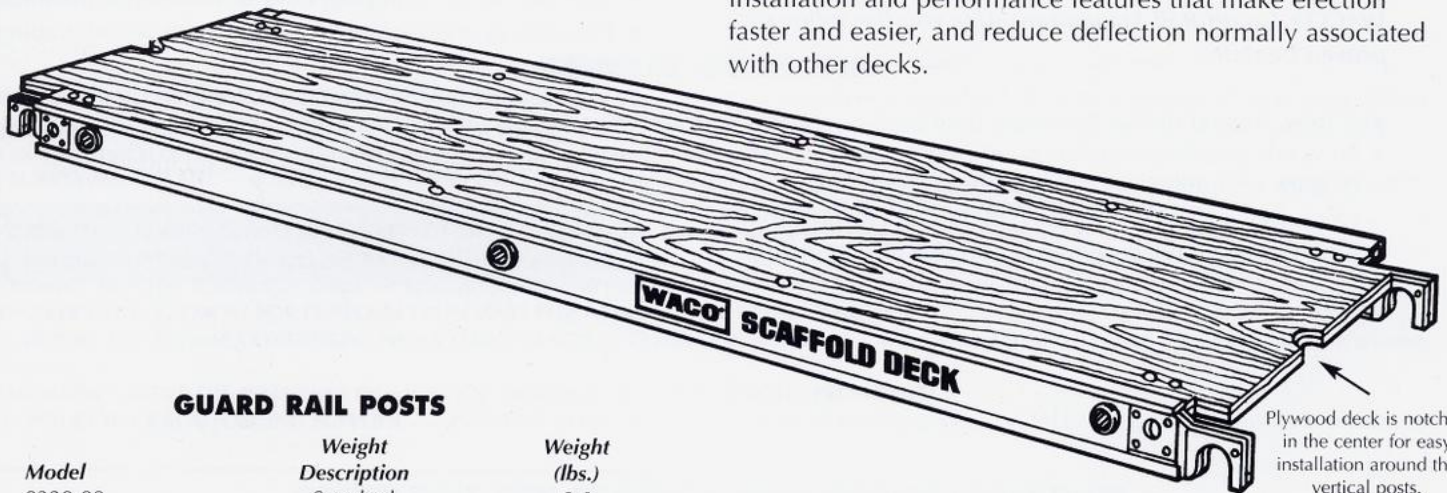
For additional information or ordering assistance, call Toll Free 1-800-321-3150



# FRAME SCAFFOLDING ACCESSORIES

## SCAFFOLD DECKS

WACO's new Series 6053 Scaffold Decks are lighter than wood scaffold plank, with no overhang. They incorporate installation and performance features that make erection faster and easier, and reduce deflection normally associated with other decks.



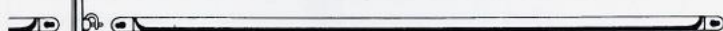
### GUARD RAIL POSTS

Model	Weight Description	Weight (lbs.)
0320-00	Standard	8.6
0320-05	With Toeboard Hook	8.8



### GUARD RAILS AND MID-RAILS

Model	Weight Length	Weight (lbs.)
0322-27	2'3"	2.5
0322-57	29" w/keyhole	2.0
0325-05	5'	4.8
0325-55	5' w/keyhole	4.7
0326-06	6'	6.0
0327-07	7'	7.2
0327-10	10'	10.5
0328-08	8'	8.1



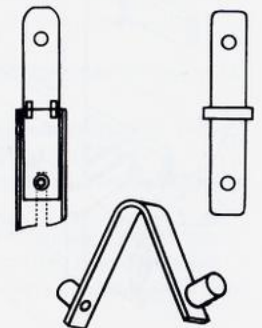
- Plank stiffness assured through durable "1"-beam side rails that reduce deflection.
- Non-twist structure with unique WACO air-pass rungs.
- Plywood is notched at hooks to permit perfect fit of next plank hook; no gap when set in continuous scaffold; only three planks needed to plank a 5' wide frame.

Model	Duty Rating Per Sq. Ft.	Width	Rail Length	Approx. Shipping Size	Weight (lbs.)
6053-07	75 lbs.	18 15/16"	7 ft.	3"	27.0
6053-10	75 lbs.	18 15/16"	10 ft.	4"	42.0

### OTHER ACCESSORIES

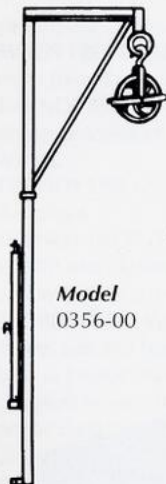
#### COUPLING PINS

Model	Description	Weight (lbs.)
0205-00	Coupling Pin	0.6
0206-00	Spring Clip for 0205-00	0.1
0207-00	With Collar	1.0



### HOIST STANDARD WITH GUARD RAIL POST

Model	Weight (lbs.)
0354-00	32.7



### WELL WHEELS

Model	Description	Capacity (lbs.)	Weight (lbs.)
0356-00	12" dia., for 1" Rope	100	11.0

### GRAVITY LOCK PIN

Model	Weight (lbs.)
1956-00	.1



### TOGGLE PIN

Model	Weight (lbs.)
0200-00	.1



# SAFETY EQUIPMENT

## GUARD RAIL STANCHIONS

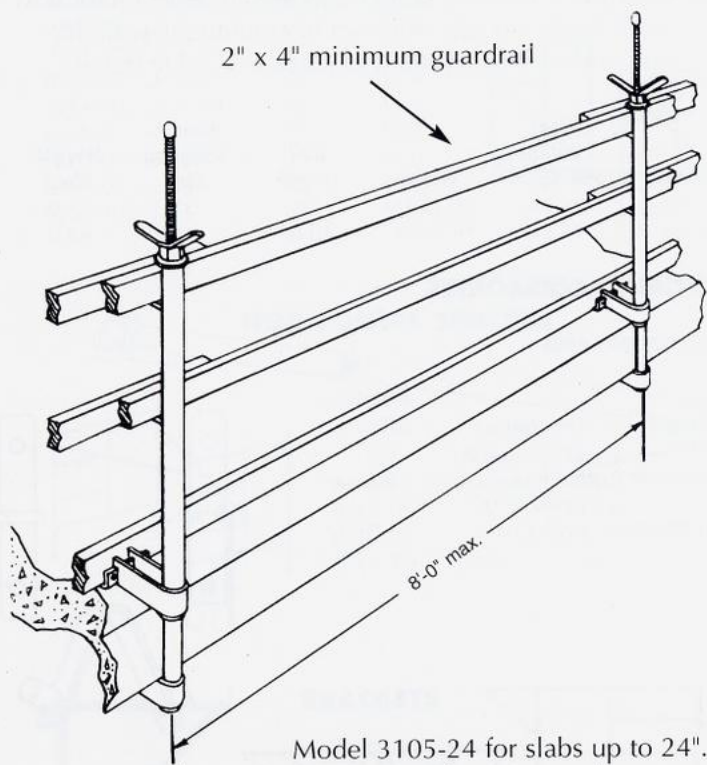
WACO's Guard Rail Stanchions offer you the following proven benefits:

- A new, rugged design for easier handling.
- New labor-saving installation on perimeters of slabs on multi-story construction... and for use in hazardous exposed openings, including elevator shafts, pipe chases, service openings and stairwell openings.

- New screw jack with "Wing Tee Nut System" means no tools necessary!
- Versatile — for clamping on any slab up to 24" thick.
- Provides economical accommodation of wood, cable or chain.

WACO Guard Rail Stanchions feature handles and two 2" x 4" guard rail brackets with Toeboard nail plate provided. (2" x 4" guard rail and Toeboard not included.)

Use WACO Guard Rail Stanchions to protect open areas in accordance with O.S.H.A. codes 1926.500 (a-through-d).

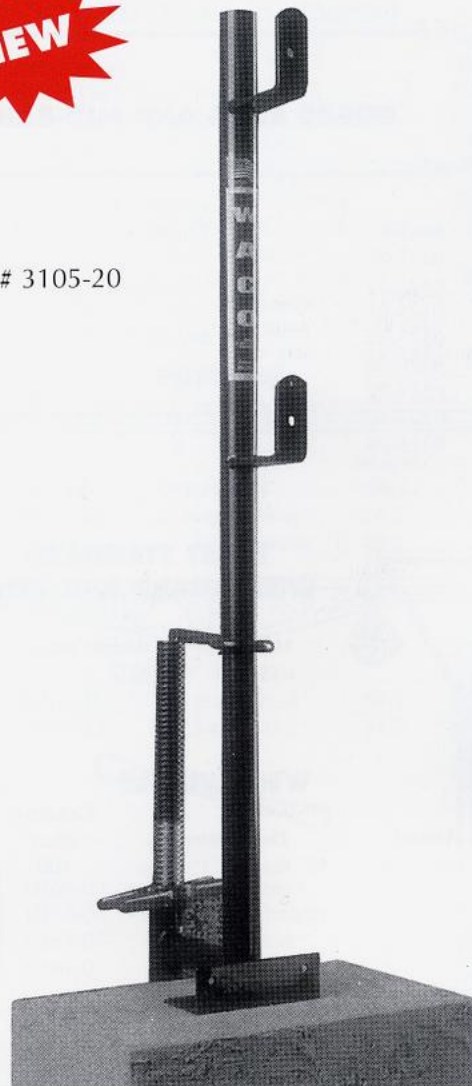


Model 3105-24 for slabs up to 24".  
Weight: 26 pounds.

Also Available:  
Model 3105-36 for slabs up to 36".  
Weight: 28.5 pounds.



Part # 3105-20



For additional information or ordering assistance, call Toll Free 1-800-321-3150

# SCAFFOLDING SAFETY GUIDELINES

as recommended by

## SCAFFOLDING, SHORING & FORMING INSTITUTE

It shall be the responsibility of all employers and employees to read and comply with the following common sense guidelines which are designed to promote safety in the erecting and dismantling of scaffolds. These guidelines do not purport to be all-inclusive nor to supplant or replace other additional safety and precautionary measures to cover usual or unusual conditions. Local, State, or Federal statute or regulations shall supersede these guidelines if there is a conflict and it is the responsibility of each employee to comply.

### GENERAL GUIDELINES

- I. **POST THESE SCAFFOLDING SAFETY GUIDELINES** in a conspicuous place and be sure that all persons who erect, dismantle or use scaffolding are aware of them.
- II. **FOLLOW ALL STATE, LOCAL AND FEDERAL CODES, ORDINANCES AND REGULATIONS** pertaining to scaffolding because they may be more restrictive. For example, height or width requirements may vary.
- III. **SURVEY THE JOB SITE** — A survey shall be made of the job site for hazards, such as untamped earth fills, ditches, debris, high tension wires, unguarded openings, and other hazardous conditions created by other trades. These conditions shall be corrected or avoided as noted in the following sections.
- IV. **INSPECT ALL EQUIPMENT BEFORE USING** — Never use any equipment that is damaged or defective in any way.
- V. **KEEP ALL EQUIPMENT IN GOOD REPAIR** — Avoid using corroded equipment — the strength of corroded equipment is not known.
- VI. **INSPECT ERECTED SCAFFOLDS DAILY** — or at the beginning of every shift to be sure that they are maintained in safe condition.
- VII. **NEVER USE EQUIPMENT FOR PURPOSES OR IN WAYS FOR WHICH IT WAS NOT INTENDED.**
- VIII. **REPORT ANY UNSAFE CONDITION. NEVER TAKE CHANCES** — Do not work on scaffolds if your physical condition is such that you feel dizzy or unsteady in any way.
- IX. **WORKING UNDER THE INFLUENCE OF ALCOHOL OR ILLEGAL DRUGS IS STRICTLY PROHIBITED.**
- X. **CONSULT YOUR SCAFFOLDING SUPPLIER — NEVER TAKE CHANCES** — Consult manuals and instructions provided by the supplier; scaffolding is his business.

### GUIDELINES FOR ERECTION AND USE OF SCAFFOLDS

- A. **PROVIDE ADEQUATE SILLS** for scaffold posts and use base plates.
- B. **USE ADJUSTING SCREWS** or other approved conditions.
- C. **PLUMB AND LEVEL ALL SCAFFOLDS** as the erection proceeds. Do not force braces to fit—level the scaffold until proper fit can be made easily.
- D. **BRACING** Each frame or panel shall be braced by horizontal bracing. Cross bracing, diagonal bracing or any combination thereof for securing vertical members together laterally. All brace connections shall be made secure, in accordance with manufacturers' recommendations.
- E. **DO NOT CLIMB CROSS BRACES** Use only an access (climbing) ladder, access steps, frame designed to be climbed or equivalent safe access to the scaffold.
- F. **TIE RUNNING SCAFFOLD TO WALL** or structure when the height exceeds four (4) times the minimum scaffold base dimension. The first vertical and longitudinal tie shall be placed at this point. Vertical ties shall be repeated at intervals not greater than 26 feet. Longitudinal ties shall be placed at each end and at intervals not greater than 30 feet. Ties must prevent the scaffold from tipping into or away from the wall or structure.
- G. **WHEN SCAFFOLDS ARE TO BE PARTIALLY OR FULLY ENCLOSED**, specific precautions must be taken to assure frequency and adequacy of ties attaching the scaffolding to the building due to increased load conditions resulting from effects of wind and weather. The scaffolding components to which the ties are attached must also be checked for additional loads.
- H. **WHEN FREE STANDING SCAFFOLD TOWERS** exceed four times their minimum base dimension vertically, they must be restrained from tipping.
- I. **DO NOT ERECT SCAFFOLDS NEAR ELECTRICAL POWER LINES** unless proper precautions are taken. Consult the power service company for advice.
- J. **DO NOT USE LADDERS** or makeshift devices on top of scaffolds to increase the height.
- K. **DO NOT EXCEED MANUFACTURERS' RECOMMENDED LOAD RATING.**
- L. **EQUIP AND MAINTAIN ALL PLATFORMS** with proper guardrails, midrails and toeboards along all open sides and ends of scaffold platforms.
- M. **ALL BRACKETS** shall be seated correctly with side brackets parallel to the frames and end brackets at 90 degrees to the frames. Brackets shall not be bent or twisted from normal position. Brackets (except mobile brackets designed to carry materials) are to be used as work platforms only and shall not be used for storage of material or equipment. When brackets are used, the scaffold shall be tied to the structure or otherwise restrained to prevent tipping.
- N. **ALL SCAFFOLDING ACCESSORIES** shall be used and installed in accordance with the manufacturers' recommended procedure. Accessories shall not be altered in the field. Scaffolds, frames and their components of various manufacturers shall not be intermixed.
- O. **FOR PLANKING, THE FOLLOWING GUIDELINES APPLY:**
  1. Use only lumber that is properly inspected and graded as scaffold plank.
  2. Planking shall have at least 12 inches of overlap and extend 6 inches beyond center of support, or be cleated at both ends to prevent sliding off supports.
  3. Fabricated scaffold planks and platforms, unless created or restrained by hooks, shall extend over their end supports not less than 6 inches nor more than 12 inches.
  4. Secure plank to scaffold when necessary.
- P. **FOR ROLLING SCAFFOLDS THE FOLLOWING ADDITIONAL GUIDELINES APPLY:**
  1. **CASTERS WITH PLAIN STEMS** shall be attached to the panel or adjustment screw by pins or other suitable means.
  2. **DO NOT EXTEND ADJUSTING SCREWS ON ROLLING SCAFFOLDS MORE THAN 12 INCHES.**
  3. **WHEELS OR CASTERS** shall be provided with a locking device and kept locked during erection and dismantling or any time scaffolds are not being moved.
  4. **SECURE OR REMOVE ALL MATERIAL AND EQUIPMENT** from platform before moving scaffold.
  5. **USE HORIZONTAL DIAGONAL BRACING** near the bottom and at 20 foot intervals measured from the rolling surface.
  6. **DO NOT USE** brackets or other platform extensions without consideration of overturning effect.
  7. **THE HEIGHT OF A ROLLING SCAFFOLD** excluding its uppermost guardrails, must not exceed four times its smallest base dimension unless it is stabilized by an engineered counterweight system or some other equivalent means.
  8. **CLEAT OR SECURE ALL PLANKS.**
  9. **DO NOT ATTEMPT TO MOVE A ROLLING SCAFFOLD WITHOUT SUFFICIENT HELP** — watch out for holes in floor and overhead obstructions — stabilize against tipping.
  10. **DO NOT RIDE ROLLING SCAFFOLDS.**
  11. **JOINTS** shall be restrained from separation

(Continued on back cover)

(Continued from page 11)

**Q. FOR "PUTLOGS" AND "TRUSSES" the following additional guidelines apply:**

- 1. DO NOT CANTILEVER OR EXTEND PUTLOGS/TRUSSES** as side brackets without thorough consideration for loads to be applied.
- 2. PUTLOGS/TRUSSES SHOULD BE EXTENDED AT LEAST 6 inches** beyond point of support.
- 3. PLACE RECOMMENDED BRACING BETWEEN PUTLOGS/TRUSSES** when the span of putlog/truss is more than 12 feet.

**R. WHEN DISMANTLING SCAFFOLDING THE FOLLOWING ADDITIONAL GUIDELINES APPLY:**

- 1. CHECK TO SEE IF SCAFFOLDING HAS BEEN STRUCTURALLY**

**ALTERED** in any way which would make it unsafe, and if so, reconstruct where necessary before commencing with dismantling procedures.

- 2. VISUALLY INSPECT PLANK** prior to dismantling to be sure that they are safe to work on.
  - 3. COMPONENTS SHOULD BE LOWERED** as soon as dismantled in a safe manner so as to protect personnel below.
  - 4. DO NOT ACCUMULATE EXCESS COMPONENTS OR EQUIPMENT** on the level being dismantled.
  - 5. DISMANTLED EQUIPMENT** should be stockpiled in an orderly manner.
- S. FOLLOW ERECTION PROCEDURES AND USE MANUALS.**

"These safety guidelines set forth common sense procedures for safely erecting and dismantling scaffolding equipment. However, equipment and scaffolding systems differ, and accordingly, reference must always be made to the instructions and procedures of the supplier of the equipment. Since field conditions vary and are beyond the control of the Institute, safe and proper use of scaffolding is the responsibility of the user and not the Institute."

## SCAFFOLDING

WACO RED®  
 WACO BLUE®  
 WEDGELOK™ SYSTEM  
 TUBE & CLAMP  
 ALUMINUM JOISTS

## SPECIALTY TRADE TOOLS

MASON'S T-JACKS  
 CHIMNEY SCAFFOLDS  
 MORTAR BOARD STANDS  
 SHEET MATERIAL DOLLIES  
 SPEED-SCAFF™  
 CASTERS  
 TRASH CHUTES

## SHORING

POST SHORES  
 HI-LOAD™ FRAMES  
 SHORE "X"® FRAMES  
 SHORE "X"® 25 KIP FRAMES®

## FORMING

MODULAR FORMS  
 ALUMINUM GANG FORMS  
 HEAVY DUTY WALL TIES  
 WACOTE™ FORM OIL  
 CONCRETE ACCESSORIES



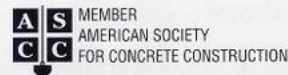
### WARNING

Before using, putting up or taking down scaffolding or shoring, check with your boss as to its safe use. There are many ways you can be hurt or killed using scaffolding. Use all equipment in accordance with safety design requirements and standards.

**SAFETY MUST COME FIRST!**

Branch	Hotline	Fax
Dealer Sales	(800) 321-3150	(216) 267-9562
Akron, OH	(800) 676-9226	(330) 785-3921
Atlantic City, NJ	(800) 273-1056	(609) 646-7808
Canton, OH	(800) 927-9226	(330) 497-0572
Carson, CA	(800) 251-4503	(310) 538-1003
Charleston, WV	(800) 678-9226	(304) 744-0349
Cincinnati, OH	(513) 829-4757	(513) 829-4749
Cleveland, OH	(800) 927-7502	(216) 351-9009
Columbus, OH	(800) 736-9226	(614) 922-0401
Indianapolis, IN	(888) 284-8744	(317) 951-8715
Minneapolis, MN	(800) 347-9356	(651) 697-0254
Phoenix, AZ	(888) 345-9226	(480) 507-8844
Pittsburgh, PA	(800) 422-9284	(412) 823-4840
San Diego, CA	(800) 734-9226	(858) 566-5780
San Diego Shipyard	(888) 472-2336	(619) 233-0802
Seattle, WA	(866) 642-8216	(206) 935-1702
Youngstown, OH	(888) 415-9737	(330) 792-2265

Visit our website — [www.wacoscaf.com](http://www.wacoscaf.com)



Corporate Office  
 4545 Spring Road  
 P.O. Box 318028  
 Cleveland, Ohio 44131-8028

800-321-3150

Visit our Web Site  
[www.wacoscaf.com](http://www.wacoscaf.com)



Made in U.S.A.

Rentals  
 Sales  
 Erection